

# Setup Guide

## Tapo C645D KIT Solar-Powered Dual-Lens Pan/Tilt Security Camera Kit

Welcome to the setup guide.

To ensure equal access for all users, we offer this accessible setup guide. This guide is designed to meet accessibility needs, enabling a successful setup. It will introduce the appearance of the solar panel, as well as the camera, including its ports, buttons, and labels, and then guide you through the setup process.

### Step 1. Know about your camera

In this section, we will describe the appearance of the solar panel, as well as the camera, including its ports, buttons, and labels.

1. You can find your solar panel and camera in the package.

**Solar Panel:** The solar panel is typically a rectangular panel with a power cord and a snap fit on the back. At the end of the power cord, there is a USB Type-C connector for plugging into the camera's charging port to begin solar charging.

The camera is composed of two rectangular blocks. The larger one with a base is on top, and the smaller one is on the bottom.

2. Next, keep the larger block on the top and the smaller block on the bottom.

To ensure the camera is placed correctly, you should position it with the two camera lenses facing forward.

3. After positioning your camera correctly, we will introduce the ports, buttons, and labels on your device in a certain order.

**Lenses:** For capturing things within their view. The top wide-angle lens is fixed in place but supports manual adjustment for the best viewing angle. The bottom telephoto lens features automatic pan and tilt to follow motion or shift focus between different areas as needed.

**Microphone:** For capturing your voice. It is right above the top lens.

**IR & White Light LEDs:** For creating black-and-white images or colorful images at night. They are on the left and right sides of the top lens, and on the upper left and lower right of the bottom lens's right side.

**Motion Sensors:** For detecting motions. One is below the top lens, and another is on the left side of the bottom lens.

**Status LED:** It is right above the bottom lens, showing your camera status. You can check the camera status on the Tapo app.

**Light Sensor:** It is right below the bottom lens for detecting whether the environment is dark or bright.

**Red Alarm Light:** For enhancing visibility and awareness by lighting up the red light. It is on the upper right of the bottom lens's right side.

**Blue Alarm Light:** For enhancing visibility and awareness by lighting up the blue light. It is on the lower left of the bottom lens's right side.

Turn to the back side of the larger block to find the silicone covers, the **speaker**, and the **Product Label**. Open the cover on the left for the **Reset button**, the **Power button**, and the **microSD card slot**. Open the cover on the right for the **USB Type-C Charging Port**.

**Speaker:** It is between two covers for producing sound, allowing you to hear the audio.

**Product Label:** The product information is partially laser-engraved. The MAC address and serial number are printed on two stickers.

**Reset Button:** The reset button is a circular, raised button on the left. While the camera is on, press and hold the Reset button to reset the camera.

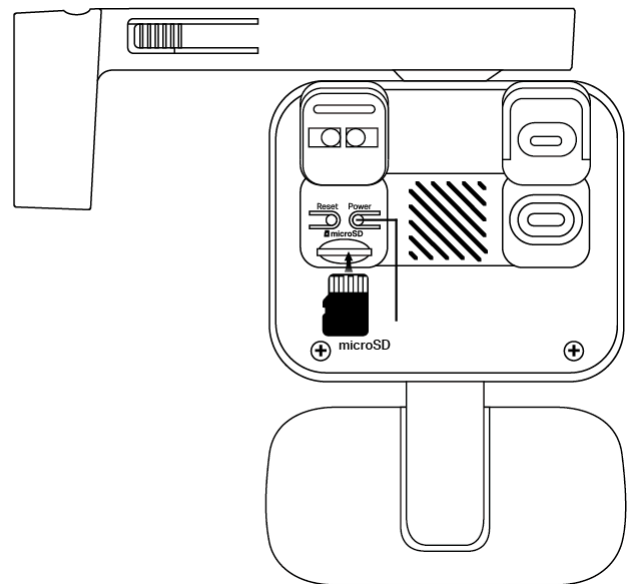
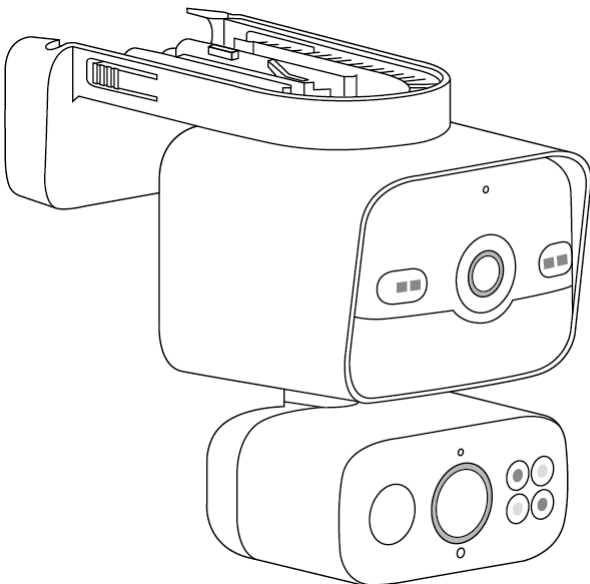
Press and hold for 5 seconds: Reset Wi-Fi settings only

Press and hold for 10 seconds: Reset to factory settings

**Power Button:** The power button is a circular, raised button on the right. Press and hold the button for about 3 seconds to turn it on or off.

**microSD Card Slot:** The slot is located below the power and reset buttons. While facing the slot, insert a microSD card with the notch on the left side, and gold contacts facing the slot.

**USB Type-C Charging Port:** Open the cover on the right for USB charging.



## Step 2. Set Up

1. Get the Tapo app from the App Store or Google Play, then log in.



2. Open the cover, then press and hold the power button (right) on your camera for about 3 seconds to turn it on. Wait 30 seconds for the camera to start up. You can hear a clicking sound.

3. Tap the + button in the app and select your camera model. Follow the app instructions to complete the setup.

If you need help, please visit <https://www.tapo.com/support/> for technical support, the user guide, FAQs, warranty & more.

For details on Tapo app accessibility, please check [Accessibility Support](#).

### English: Safety Information

For Solar Panel:

Keep the device away from fire or hot environments. DO NOT immerse in water or any other liquid.

Do not attempt to disassemble, repair, or modify the device. If you need service, please contact us.

For Camera:

This equipment can be powered only by equipments that comply with Power Source Class 2 (PS2) or Limited Power Source (LPS) defined in the standard of IEC 62368-1.

Do not use damaged charger or USB cable to charge the device.

Do not use any other chargers than those recommended.

Do not use the device where wireless devices are not allowed.

Adapter shall be easily accessible.

Keep the device away from fire or hot environments. DO NOT immerse in water or any other liquid.

Do not disassemble, repair or modify the product.

Do not place near automatically controlled devices such as fire alarms. Radio waves emitted from this product may cause such devices to malfunction resulting in an accident.

Observe restrictions on using wireless products in fuel depots, chemical plants or when blasting operations are in progress.

Do not use liquid to clean the product. Only use a dry cloth.

Never put metal objects inside the product. If a metal object enters the product turn off the circuit breaker and contact an authorised electrician.

This product is not intended to be used when providing medical care. Consult the manufacturer of any personal medical devices, such as pacemakers or hearing aids to determine if they are adequately shielded from external RF (radio frequency) energy.

Do not use this product in health care facilities. Hospitals or health care facilities may be using equipment that could be sensitive to external RF energy.

Do not place heavy objects on top of the product.

When you leave the product unused for a long time unplug the product from the power outlet.

This product may interfere with other electronic products such as TV, radios, personal computers, phones

or other wireless devices.

Operating Temperature: -20°C ~ 45°C (-4°F ~ 113°F)

Adapter should be used indoors where the ambient temperature is lower than or equal to 40°C.

**CAUTION!**

Avoid replacement of a battery with an incorrect type that can defeat a safeguard.

Avoid disposal of a battery into fire or a hot oven, or mechanically crushing or cutting of a battery, that can result in an explosion.

Do not leave a battery in an extremely high temperature surrounding environment that can result in an explosion or the leakage of flammable liquid or gas; Do not leave a battery subjected to extremely low air pressure that may result in an explosion or the leakage of flammable liquid or gas.

Please read and follow the above safety information when operating the device. We cannot guarantee that no accidents or damage will occur due to improper use of the device. Please use this product with care and operate at your own risk.

## Sign Up for News & Offers

Email Address Sign Up

## Follow Us

### About

[About Us](#)

[Corporate Information](#)

[Our Security Commitment](#)

[Sustainability](#)

[Privacy Policy](#)

[Ethical Violation Complaint](#)

[Accessibility](#)

[Contact Us](#)

### Press

[News](#)

[Blog](#)

[Awards](#)

[Security Advisory](#)

### Learning Center

[Technology Library](#)

## Worldwide / English

©2026 TP-Link Systems Inc. and its affiliated companies. All rights reserved.

TP-Link, Tapo, Kasa, Omada, VIGI, Aginet, HomeShield, and Tapo Care branded products are products of TP-Link Systems Inc. or its affiliates.

Note: Some services and materials may require you to accept additional terms and conditions before access or use.

References to "TP-Link" may include TP-Link Systems Inc., its subsidiaries, or business units within the TP-Link corporate structure, as applicable.

The materials provided, including but not limited to press releases, presentations, blog posts, and webcasts, are current as of the date of publication and may be superseded by subsequent updates.