

Setup Guide

Tapo C665G KIT Solar-Powered Pan/Tilt Wi-Fi/4G Security Camera Kit

Welcome to the setup guide.

To ensure equal access for all users, we offer this accessible setup guide. This guide is designed to meet accessibility needs, enabling a successful setup. It will introduce the appearance of the solar panel, as well as the camera, including its ports, buttons, and labels, and then guide you through the setup process.

Step 1. Know about your solar panel and camera

In this section, we will describe the appearance of the solar panel, as well as the camera, including its ports, buttons, and labels.

1. You can find your solar panel and camera in the package.

Solar Panel: The solar panel is typically a rectangular panel with a power cord and a snap fit on the back. At the end of the power cord, there is a USB Type-C connector for plugging into the camera's charging port to begin solar charging.

The camera is composed of a body that feels like a pebble, a relatively long base, and two antennas on the left and right sides of the base.

2. Next, keep the camera base at the top, and the flat side facing backward.

To ensure the camera is placed correctly, position it with the lens facing forward.

3. After positioning your camera correctly, we will introduce the ports, buttons, and labels on your device in a certain order.

Antennas: For receiving the 4G signal. They are non-detachable and you can adjust their angles for better internet connection.

Lens: For capturing things within its view.

Light Sensor: It is on the left side of the lens, for detecting whether the environment is dark or bright.

Status LED: It is on the right side of the lens, showing your camera status. You can check the camera status on the Tapo app.

Motion Sensor: It is below the camera Lens for detecting motion.

White Light LEDs: For creating colorful images at night. They are right above the lens.

IR LEDs: For creating black-and-white images at night. They are right above the white light LEDs.

Microphone: For capturing your voice. It is right above the IR LEDs.

Underneath the camera base, you can find the speaker, the silicone covers for the USB Type-C Charging Port and the Nano SIM card slot, as well as the PRESS button.

Speaker: For producing sound, allowing you to hear the audio.

USB Type-C Charging Port: Open the cover on the left for USB charging.

Nano SIM Card Slot: Open the cover on the right to find the slot. Insert a Nano SIM card with the cut corner below facing the slot for a 4G network connection.

PRESS Button: Press the button next to the covers on the camera base to release the bracket from the base.

Tilt the camera lens up to find the silicone cover on the camera body for the microSD card slot, the Power button, and the Reset button. After opening the cover, the **microSD card slot** is on the upper left, the **Power button** is below the slot, and the **Reset button** is on the right of the power button.

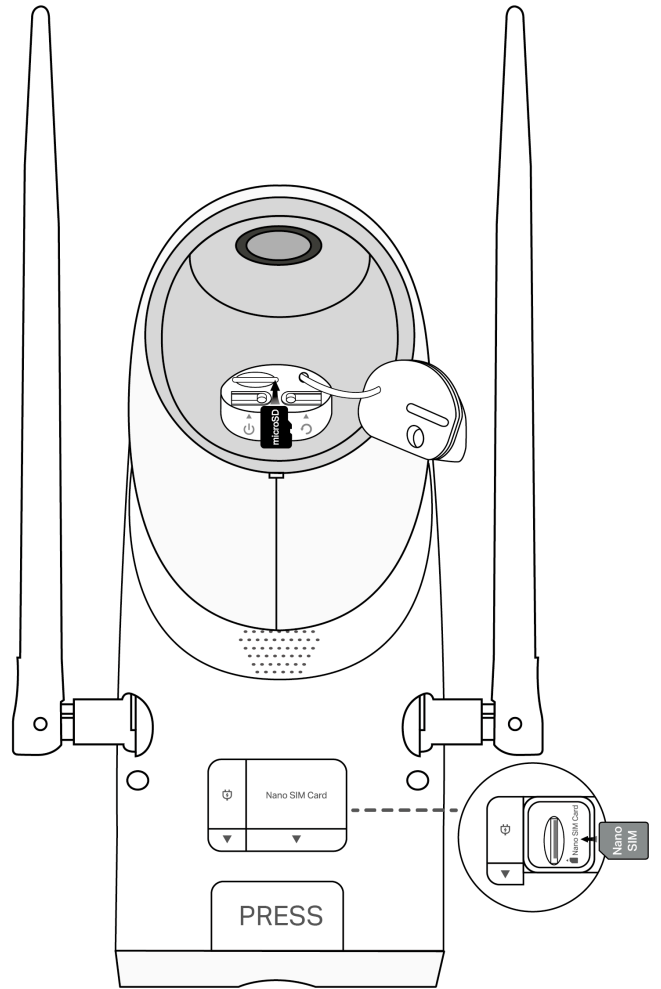
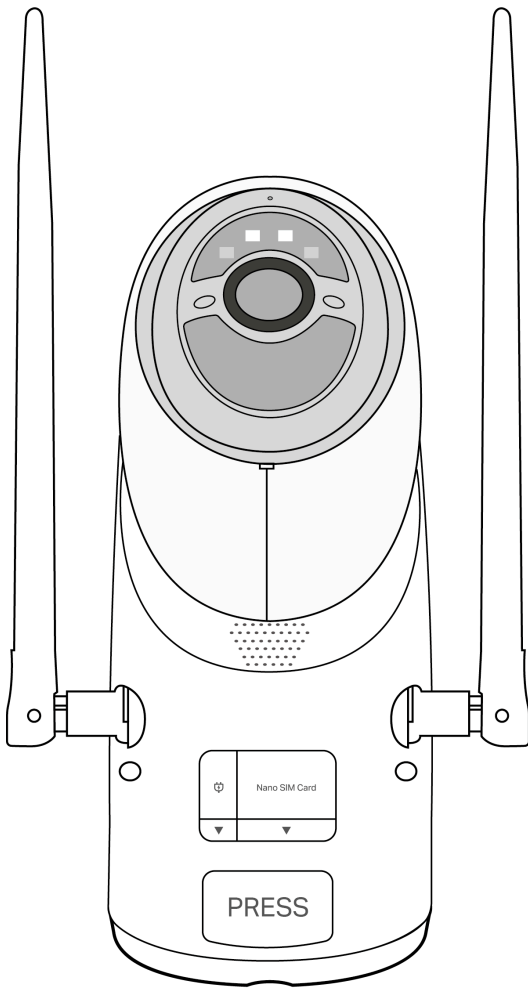
microSD Card Slot: While facing the front of the camera, insert a microSD card with the notch on the right side, and gold contacts facing the slot.

Power Button: The reset button is a circular, raised button on the left. Press the button for about 3 seconds to turn it on or off.

RESET Button: The reset button is a circular, raised button on the right. While the camera is powered on, press and hold the RESET button for 5 seconds to reset the camera.

Turn to the back side of the camera base to find the **product label**.

Product Label: The product information is partially laser-engraved. The setup QR code, MAC address, and serial number are printed on a sticker.



Step 2. Set up your camera

1. Get the Tapo app from the App Store or Google Play, then log in.



OR



2. Open the cover on the camera body, then press and hold the power button (left) on your camera for about 3 seconds to turn it on. Wait 30 seconds for the camera to start up. You can hear a clicking sound.

3. Tap the + button in the app and select your camera model. Follow the app instructions to complete the setup.

If you need help, please visit <https://www.tapo.com/support/> for technical support, the user guide, FAQs, warranty, and more.

For details on Tapo app accessibility, please check [Accessibility Support](#).

English: Safety Information

For Solar Panel:

Keep the device away from fire or hot environments. DO NOT immerse in water or any other liquid.

Do not attempt to disassemble, repair, or modify the device. If you need service, please contact us.

For Camera:

This equipment can be powered only by equipments that comply with Power Source Class 2 (PS2) or Limited Power Source (LPS) defined in the standard of IEC 62368-1.

Do not use damaged charger or USB cable to charge the device.

Do not use any other chargers than those recommended.

Do not use the device where wireless devices are not allowed.

Adapter shall be easily accessible.

Keep the device away from fire or hot environments. DO NOT immerse in water or any other liquid.

Do not disassemble, repair or modify the product.

Do not place near automatically controlled devices such as fire alarms. Radio waves emitted from this product may cause such devices to malfunction resulting in an accident.

Observe restrictions on using wireless products in fuel depots, chemical plants or when blasting operations are in progress.

Do not use liquid to clean the product. Only use a dry cloth.

Never put metal objects inside the product. If a metal object enters the product turn off the circuit breaker and contact an authorised electrician.

This product is not intended to be used when providing medical care. Consult the manufacturer of any personal medical devices, such as pacemakers or hearing aids to determine if they are adequately shielded from external RF (radio frequency) energy.

Do not use this product in health care facilities. Hospitals or health care facilities may be using equipment that could be sensitive to external RF energy.

Do not place heavy objects on top of the product.

When you leave the product unused for a long time unplug the product from the power outlet.

This product may interfere with other electronic products such as TV, radios, personal computers, phones or other wireless devices.

Operating Temperature: -20 °C ~ 45 °C (-4 °F ~ 113 °F)

CAUTION!

Avoid replacement of a battery with an incorrect type that can defeat a safeguard.

Avoid disposal of a battery into fire or a hot oven, or mechanically crushing or cutting of a battery, that can result in an explosion.

Do not leave a battery in an extremely high temperature surrounding environment that can result in an explosion or the leakage of flammable liquid or gas; Do not leave a battery subjected to extremely low air pressure that may result in an explosion or the leakage of flammable liquid or gas.

Please read and follow the above safety information when operating the device. We cannot guarantee that no accidents or damage will occur due to improper use of the device. Please use this product with care and operate at your own risk.

Sign Up for News & Offers

[Email Address](#)[Sign Up](#)

Follow Us

About

[About Us](#)[Corporate Information](#)[Our Security Commitment](#)[Sustainability](#)[Privacy Policy](#)[Ethical Violation Complaint](#)[Accessibility](#)[Contact Us](#)

Press

[News](#)[Blog](#)[Awards](#)[Security Advisory](#)

Learning Center

[Technology Library](#)

Worldwide / English

©2026 TP-Link Systems Inc. and its affiliated companies. All rights reserved.

TP-Link, Tapo, Kasa, Omada, VIGI, Aginet, HomeShield, and Tapo Care branded products are products of TP-Link Systems Inc. or its affiliates.

Note: Some services and materials may require you to accept additional terms and conditions before access or use.

References to "TP-Link" may include TP-Link Systems Inc., its subsidiaries, or business units within the TP-Link corporate structure, as applicable.

The materials provided, including but not limited to press releases, presentations, blog posts, and webcasts, are current as of the date of publication and may be superseded by subsequent updates.