

Installation and User Guide

☰ Table of Contents

About This Guide

This guide provides a brief introduction to the Solar-Powered Pan/Tilt Wi-Fi/4G Security Camera Kit and the Tapo app, as well as regulatory information. Please note that features available in Tapo may vary by model and software version. Tapo availability may also vary by region. All images, steps, and descriptions in this guide are only examples and may not reflect your actual Tapo Camera experience.

Conventions

In this guide, the following convention is used:

Convention	Description
Blue	Key information appears in blue, including management page text such as menus, items, buttons and so on.
Underline	Hyperlinks are in blue and underlined. You can click to redirect to a website.
Note	Ignoring this type of note might result in a malfunction or damage to the device.

More Info

Specifications can be found on the product page at <https://www.tapo.com>.

Our Technical Support and troubleshooting information can be found at <https://www.tapo.com/support/>.

The setup video can be found at <https://www.tp-link.com/support/setup-video/#cloud-cameras>.

Introduction

Experience upgraded security with the Solar-Powered Pan/Tilt Wi-Fi/4G Security Camera Kit.

- Smart AI Tracking - The camera accurately identifies and tracks people, pets, and vehicles to stay focused on what truly matters.
- Starlight Color Night Vision - Enhances your security by revealing brighter, full-color images and vivid details even in low-light conditions with built-in spotlights and the starlight sensor.
- Local and Cloud Storage - Store footage on a microSD card (up to 512 GB)* with no subscription required, or opt for cloud storage** with a 30-day free trial for added convenience.
- Solar Charging, Maintenance-Free - Just 45 minutes of direct sunlight*** powers Tapo C665G for full-day use.

- **24/7 Continuous Capture** - Breaking the boundaries of typical battery-powered cameras, the camera enables 24/7 continuous recording, all without relying on DC power.
- **Customizable Sound and Light Alarm** - Record custom audio for alarms and adjust the brightness of the spotlights to suit your needs.
- **Smart Playback** - Swiftly find and download moments of interest by choosing the event type or sliding the timeline.
- **Patrol Mode** - Assign points for the camera to patrol for dynamic monitoring.
- **Two-Way Audio** - Talk and listen through the device with its integrated microphone and speaker.

*microSD card purchased separately. Actual storage capacity depends on the size of the microSD card used.

**Subscribe for cloud storage at <https://www.tapo.com/tapocare/>

***45 min of sunlight is based on standard environmental conditions (1000W/m², 25°C, AM1.5) and specified working scenes (up to 100 events triggered per day). Actual required time of sunlight may vary.

Appearance

1 Non-Detachable Antennas

2 IR LEDs: For creating black-and-white images at night

3 White Light LEDs: For creating colorful images at night.

4 Light Sensor

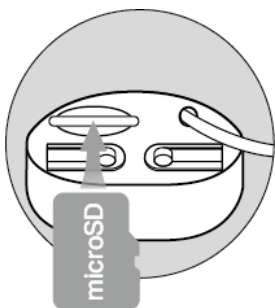
5 Motion Sensor

6 Microphone: For capturing your voice.

7 Status LED: It shows your camera status.

8 Lens: For capturing things within its view. It's fixed in place but supports manual adjustment for the best viewing angle.

9 microSD Card Slot: Open the cover to find the microSD card slot. Insert a microSD card (not included) and initialize it on the Tapo app for local recording.



10 On/Off Power Button: Open the cover to find the On/Off button. Press and hold the button for about 3 seconds to turn on/off the camera.

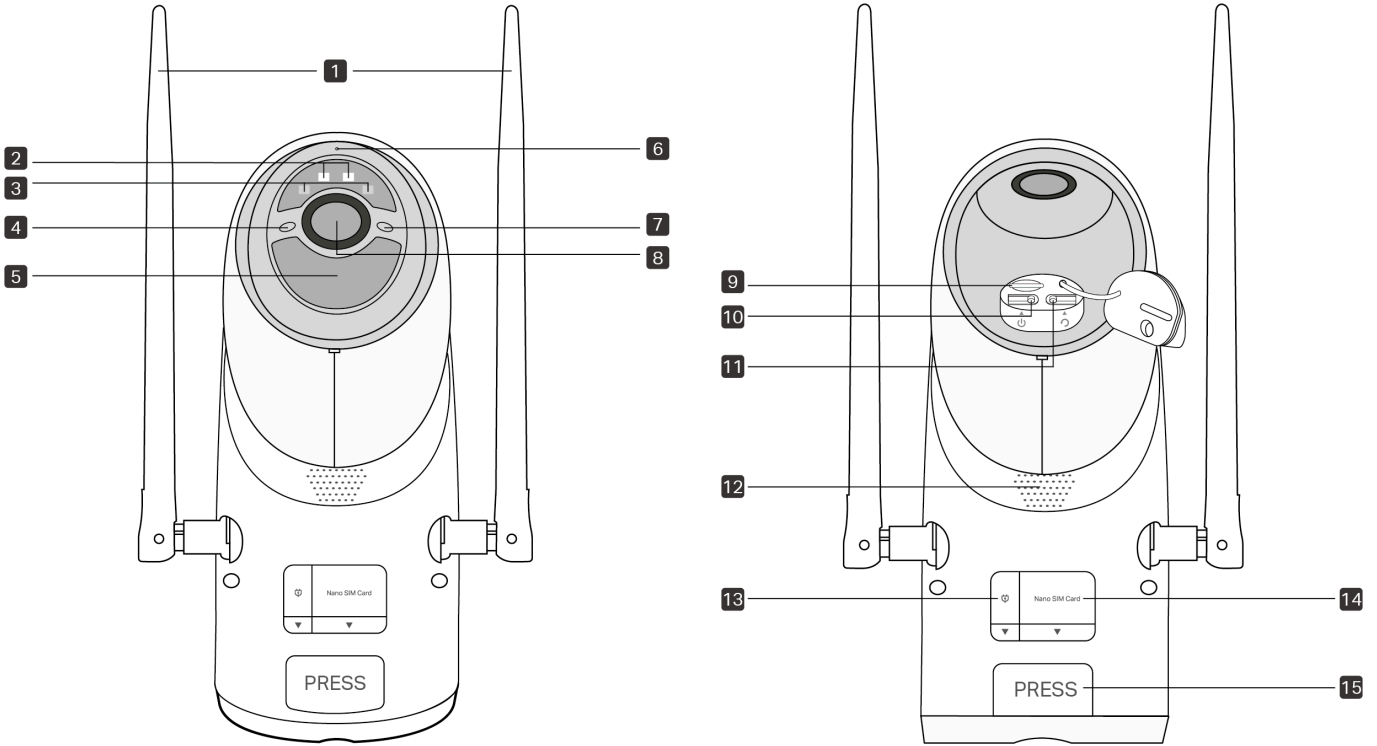
11 Reset Button: Open the cover. While the camera is powered on, press and hold the Reset button for 5 seconds to reset the camera.

12 Speaker: For producing sound, allowing you to hear the audio.

13 USB Type-C Charging Port: Open the cover for USB charging.

14 Nano SIM Card Slot

15 PRESS Button: Press the button to loosen the camera bracket.



Status LED Indication

LED Status	Indication
Blinking amber quickly for 3 seconds	Plugging in USB charger
Solid red	Starting up
Blinking red and green	Ready for setup, SIM card not inserted, or SIM card unable to be identified
Blinking red slowly	Connecting to the Wi-Fi network
Blinking red and amber	Connecting to the 4G network
Solid amber	Connected to the Wi-Fi or 4G network
Solid green	Connected to the cloud
Blinking green and amber	Unstable 4G network
Blinking red quickly	Camera resetting
Blinking green quickly	Camera updating

LED Status	Indication
Blinking amber quickly	SIM card PIN code locked

Set Up Your Camera

Follow the steps below to get started with your new camera.

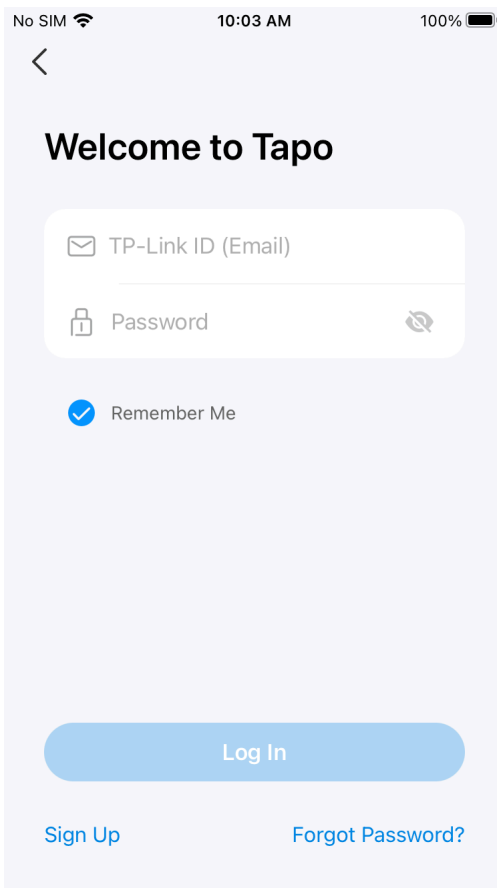
Step 1. Download Tapo App

Get the Tapo app from the App Store or Google Play, or by scanning the QR code below.



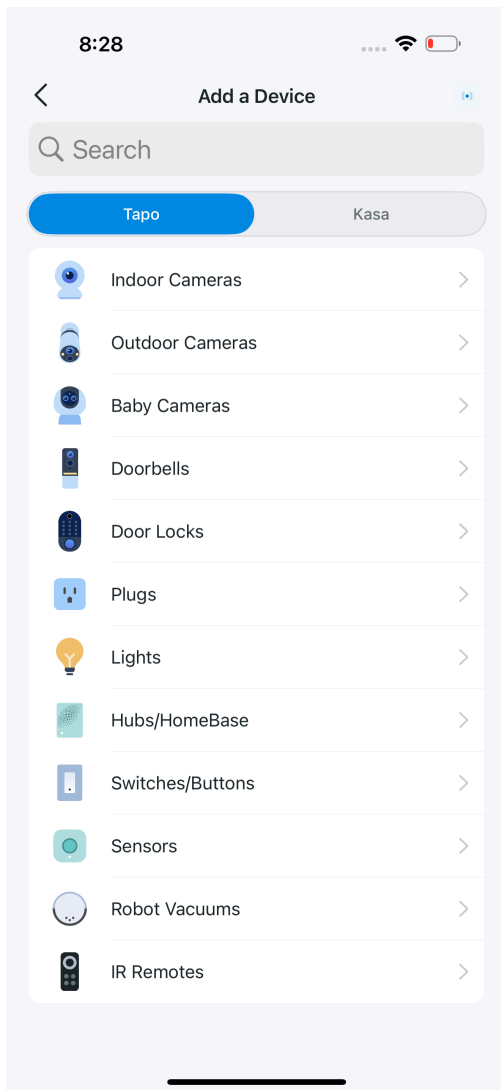
Step 2. Log In

Open the app, and log in with your TP-Link ID. If you don't have an account, create one first.



Step 3. Add Your Camera

Tap the + button > Add Device in the app and search for your model. Follow the app instructions to complete the setup.



Mounting Tips

Solar Panel Mounting Tips

The position and tilt angle of the solar panel greatly affect the solar efficiency.

1. Choose a location where the solar panel gets the most sunlight throughout the year. Regularly wipe the panel to remove dust and debris.
2. Position the panel south-facing in the Northern Hemisphere or north-facing in the Southern Hemisphere. The recommended tilt angle between the panel and the horizontal ground is 35° ~ 45°.

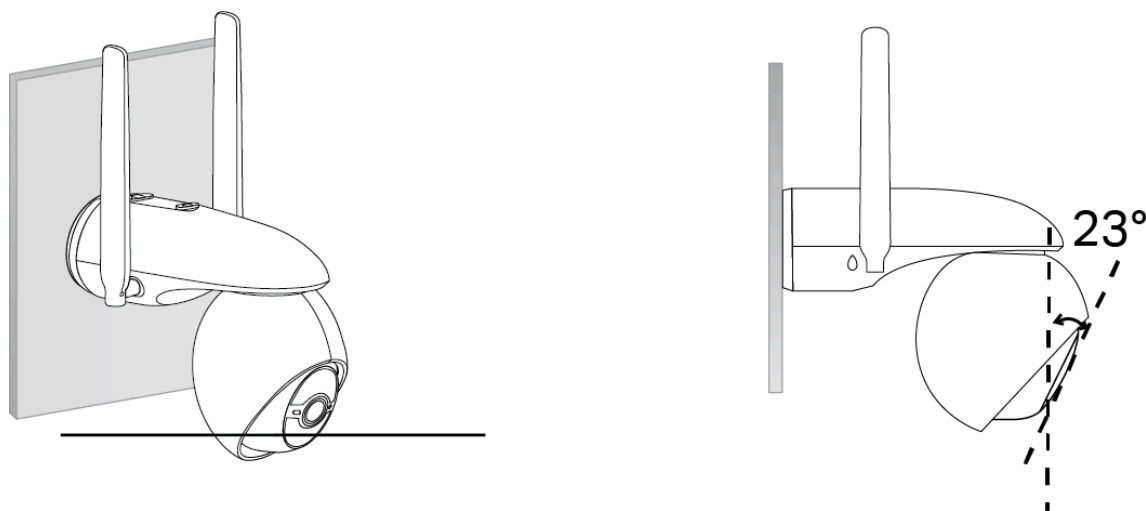
Camera Mounting Tips

1. Avoid placing behind windows/glass. Windows and glass can block the motion sensor of your camera, preventing motion detection.
2. Choose your mounting location. Proper mounting of your camera will prevent issues such as frequent false alerts.

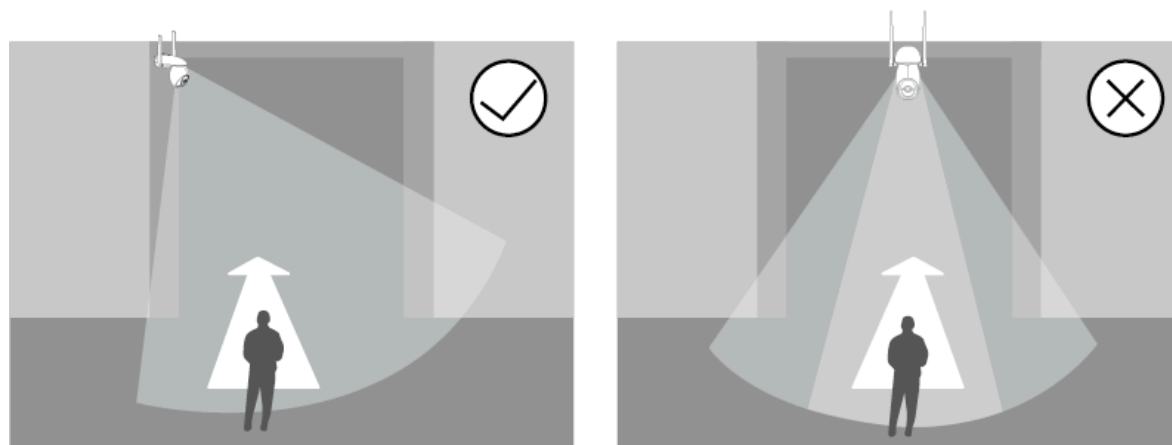
- Avoid pointing the camera directly at swaying trees.
- Avoid pointing the camera in high traffic areas unless that is the desired monitoring location.
- Avoid pointing the camera directly at streetlights or sunlight.

3. Do not place the camera upside down.

4. For optimal results, keep the motion sensor level and tilt the camera lens upwards at a $\sim 23^\circ$ angle (with the microphone nearly covered).

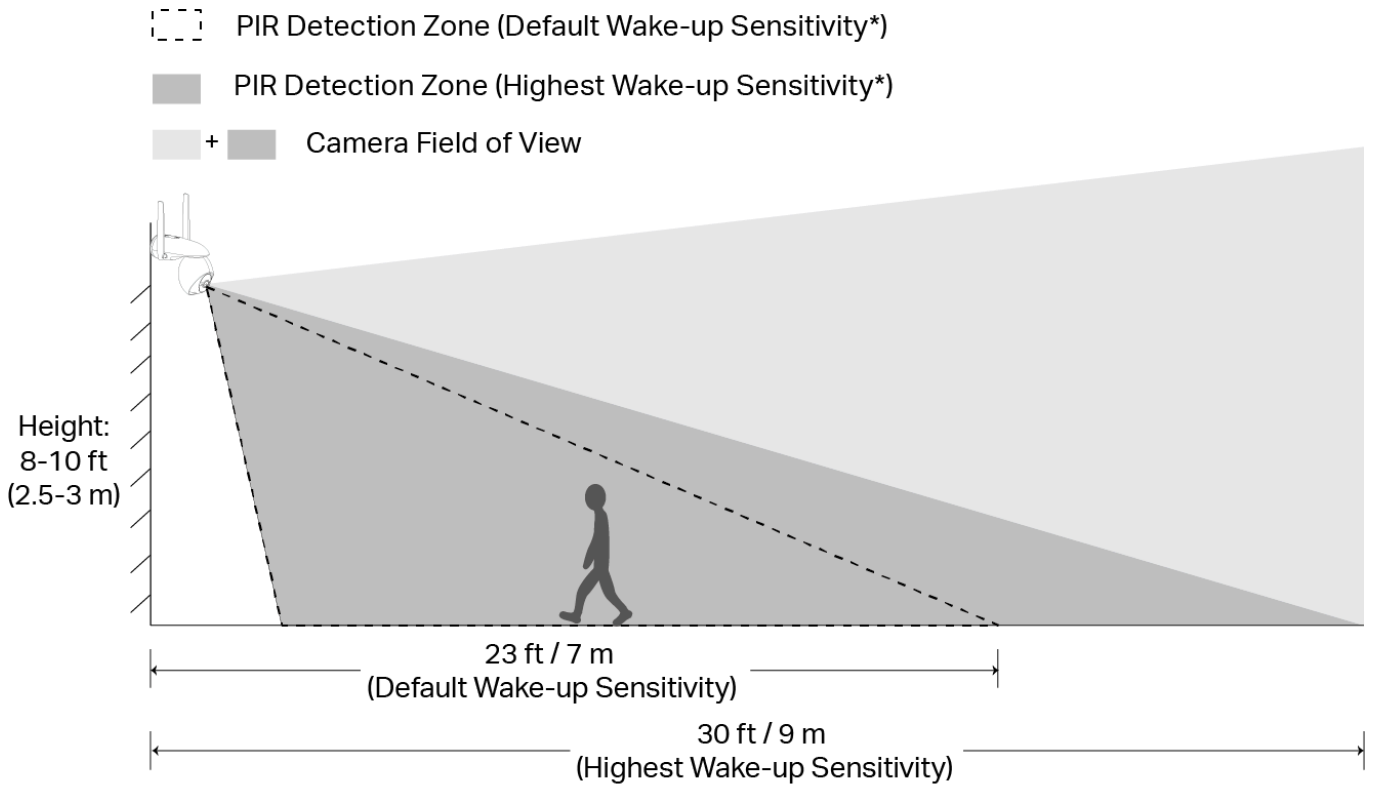


5. Mounting your camera at an angle so movement crosses the lens's field of view will provide more accurate motion detection and AI detection.



*Do not mount facing the direction of movement.

6. For optimal detection performance, we recommend mounting the camera 8-10 ft (2.5-3 m) above the ground.



*You can adjust the sensitivity in Camera Settings > Detection > Wake-up Sensitivity.

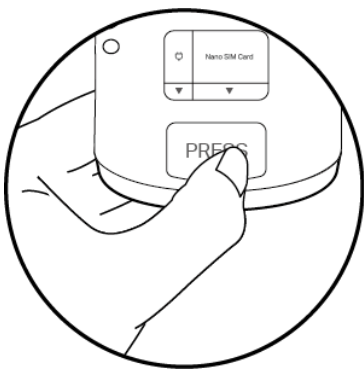
The FOV and PIR detection zone shown is based on a camera mounted at 8 ft/2.5 m.

Mount Your Solar Panel & Camera

Mount the Camera

Before you start, press the PRESS Button to detach the camera bracket from the base.

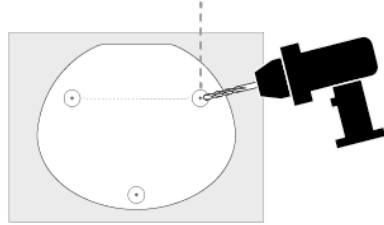
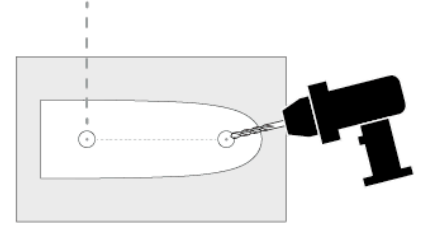
The camera bracket can be used to mount the camera on a wall, under an eave, or on a pole.



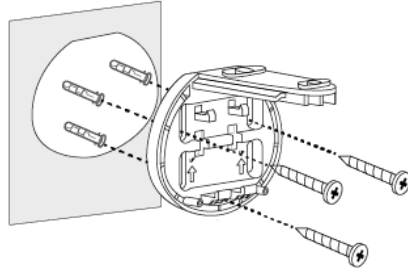
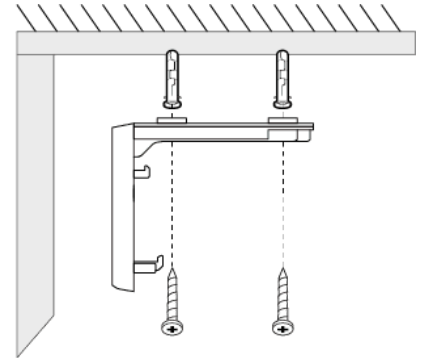
Option 1: Wall Mount/Eave Mount

1. Drill Holes

Place the mounting template sticker to a solid and level wall surface. Drill three holes (Wall Mount) or two holes (Eave Mount) according to the template.

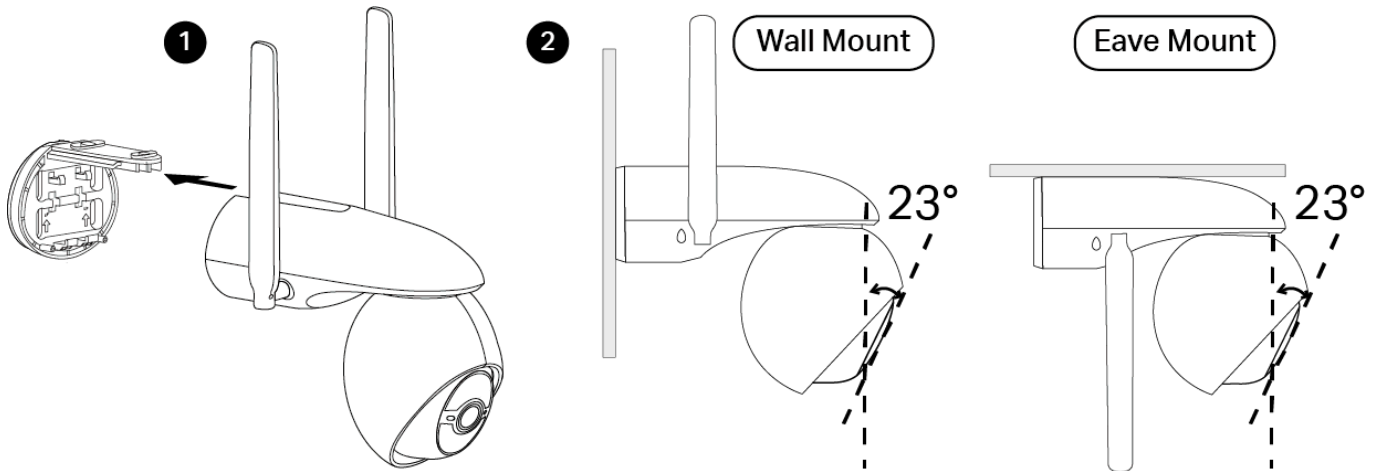
Wall Mount $\Phi=6\text{ mm (15/64 in.)}$ **Eave Mount** $\Phi=6\text{ mm (15/64 in.)}$ **2. Secure the Bracket**

Insert three anchors (Wall Mount) or two anchors (Eave Mount) into the holes and use the screws to affix the camera bracket over the anchors.

Wall Mount**Eave Mount****3. Attach the Camera**

(1) Slide the camera onto the camera bracket until it clicks into place.

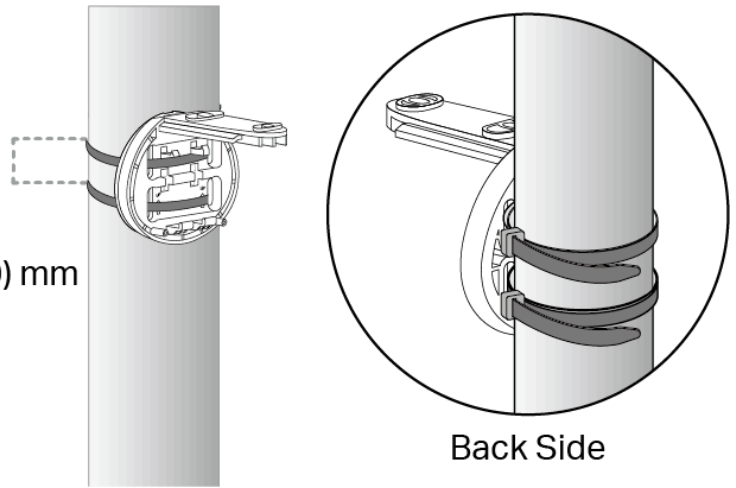
(2) Tilt the camera lens upwards at a $\sim 23^\circ$ angle (with the microphone nearly covered). For optimal 4G signal, adjust the antennas vertically upwards (Wall Mount) or vertically downwards (Eave Mount).

**Option 2: Pole Mount****1. Secure the Bracket**

Mount the bracket on the pole using two pole-mounting zip ties. Choose soft, UV-resistant ties for increased outdoor durability.

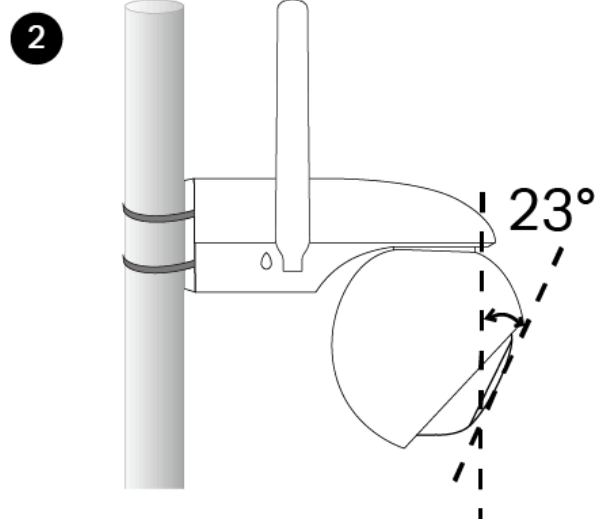
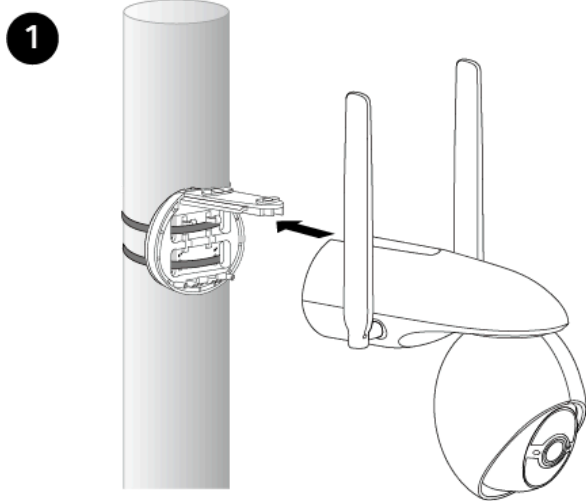
Pole-mounting Zip Ties (Not Included)

- Tie Width: 5-8 mm
- Tie Length: > (Pole Circumference + 30) mm



2. Install the Camera & Adjust the Antennas

Slide the camera onto the camera bracket until it clicks into place. Tilt the camera lens upwards at a ~23° angle (with the microphone nearly covered). Adjust the antennas vertically for the best 4G signal.

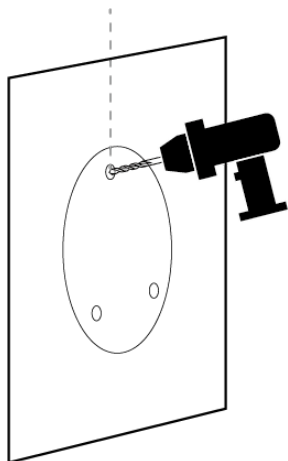


Mount the Solar Panel

1. Drill Holes

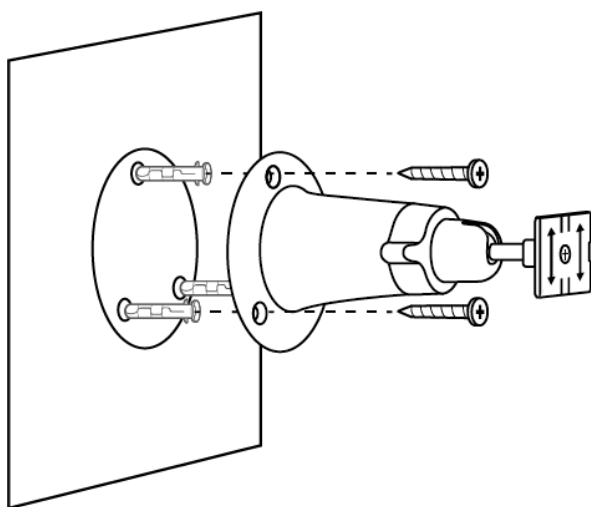
Place the mounting template sticker to a solid and level wall surface. Drill three holes according to the template.

$\Phi=6\text{ mm}$ (15/64 in.)



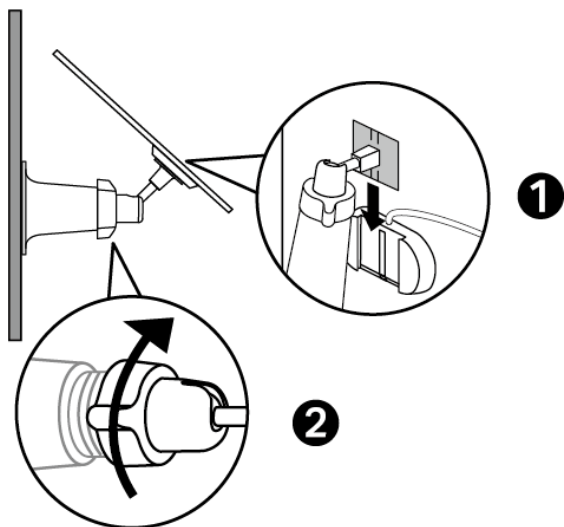
2. Secure the Bracket

Insert three anchors into the holes and use the screws to affix the camera bracket over the anchors.



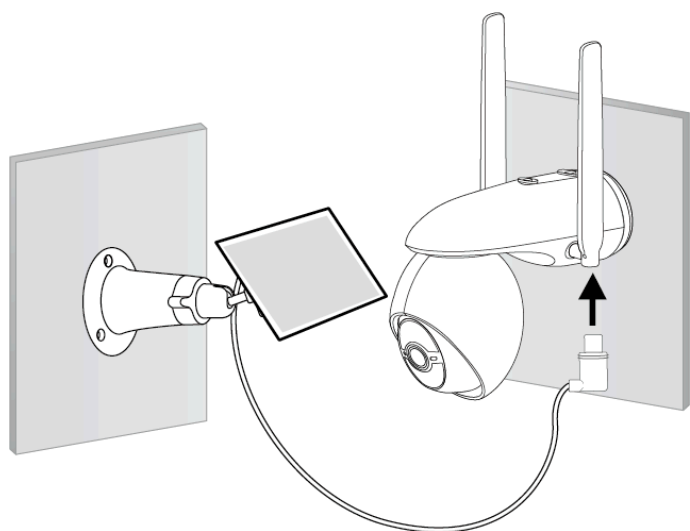
3. Install the Solar Panel

Install the solar panel on the mounting bracket, rotate the adjustable screw but keep it loose, tilt the solar panel to adjust the angle, then tighten the adjustable screw.

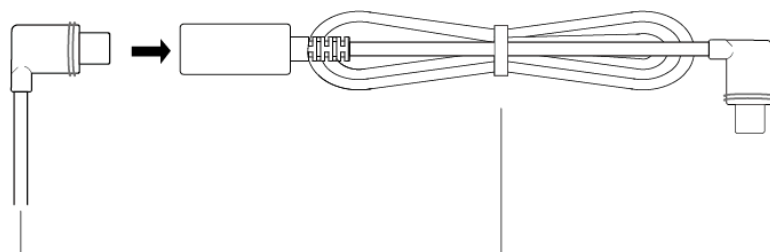


4. Connect to the Camera

Insert the connector into the camera's charging port until it is snug to begin charging.

**If the power cable is too short...**

Extend the power cable using the provided extension cable. Insert the connector into the extension cable until snug and use the appropriate gasket when connecting the solar panel to your camera.

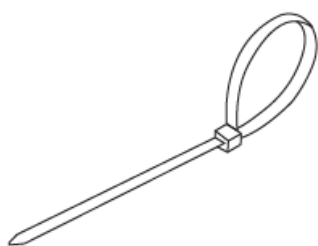


Solar Panel Connector

Extension Cable

If the power cable is too long...

Use the cable zip tie provided to bundle up the excess cable. Once tightened, the zip tie cannot be easily adjusted. To release the tie, you will need to cut it.



Support

For technical support, the setup videos, FAQs, warranty and more, please visit

<https://www.tapo.com/support/>



Authentication

Product Name: Solar-Powered Pan/Tilt Wi-Fi/4G Security Camera Kit

Model Number: Tapo C665G KIT

CE Mark Warning



2.4 GHz:

2412MHz—2472MHz (20dBm)

2402MHz—2480MHz (10dBm)

5 GHz:

5150-5350MHz (23dBm)

5470-5725MHz (23dBm)

5725-5850Mhz (23dBm)

WCDMA Band 1,3,8 / Power Class 3

LTE Band 1,3,7,8,20,28 / Power Class 3

LTE Band 38,40,42,43 / Power Class 3

Frequency band: 5150 - 5250 MHz:

Indoor use: Inside buildings only. Installations and use inside road vehicles and train carriages are not permitted. Limited outdoor use: If used outdoors, equipment shall not be attached to a fixed installation or to the external body of road vehicles, a fixed infrastructure or a fixed outdoor antenna. Use by unmanned aircraft systems (UAS) is limited to within the 5170 - 5250 MHz band.

Frequency band: 5250 - 5350 MHz:

Indoor use: Inside buildings only. Installations and use in road vehicles, trains and aircraft are not permitted. Outdoor use is not permitted.

Frequency band: 5470 - 5725 MHz:

Installations and use in road vehicles, trains and aircraft and use for unmanned aircraft systems (UAS) are not permitted.



EU Declaration of Conformity

TP-Link hereby declares that the battery camera is in compliance with the essential requirements and other relevant provisions of directives 2014/53/EU, 2009/125/EC, 2011/65/EU and (EU)2015/863.

The original EU Declaration of Conformity may be found at <https://www.tapo.com/support/ce/>.

TP-Link hereby declares that the solar panel is in compliance with the essential requirements and other relevant provisions of directives 2014/30/EU, 2014/35/EU, 2011/65/EU and (EU)2015/863.

The original EU declaration of conformity may be found at <https://www.tapo.com/support/ce/>.

RF Exposure Information

This device meets the EU requirements (2014/53/EU Article 3.1a) on the limitation of exposure of the general public to electromagnetic fields by way of health protection.

The device complies with RF specifications when the device used at 20 cm from your body.

UKCA Mark



UK Declaration of Conformity

TP-Link hereby declares that the battery camera is in compliance with the essential requirements and other relevant provisions of the Radio Equipment Regulations 2017.

The original UK declaration of conformity may be found at <https://www.tapo.com/support/ukca/>.

TP-Link hereby declares that the solar panel is in compliance with the essential requirements and other relevant provisions of the Electromagnetic Compatibility Regulations 2016 and Electrical Equipment (Safety) Regulations 2016.

The original UK declaration of conformity may be found at <https://www.tapo.com/support/ukca/>.

Attention: In Great Britain, the operation in the frequency range 5150MHz - 5350MHz is only permitted indoors.



Korea Warning Statements:

당해 무선설비는 운용중 전파혼신 가능성이 있음.



Продукт сертифіковано згідно з правилами системи УкрСЕПРО на відповідність вимогам нормативних>Продукт сертифіковано згідно з правилами системи УкрСЕПРО на відповідність вимогам нормативних документів та вимогам, що передбачені чинними законодавчими актами України.



Safety Information

For Solar Panel:

- Keep the device away from fire or hot environments. DO NOT immerse in water or any other liquid.
- Do not attempt to disassemble, repair, or modify the device. If you need service, please contact us.

For Battery Camera:

- This equipment can be powered only by equipments that comply with Power Source Class 2 (PS2) or Limited Power Source (LPS) defined in the standard of IEC 62368-1.
- Do not use damaged charger or USB cable to charge the device.
- Do not use any other chargers than those recommended.
- Do not use the device where wireless devices are not allowed.
- Adapter shall be easily accessible.
- Use only power supplies which are provided by manufacturer and in the original packing of this product. If you have any questions, please don't hesitate to contact us.
- Keep the device away from fire or hot environments. DO NOT immerse in water or any other liquid.
- Do not disassemble, repair or modify the product.
- Do not place near automatically controlled devices such as fire alarms. Radio waves emitted from this product may cause such devices to malfunction resulting in an accident.
- Observe restrictions on using wireless products in fuel depots, chemical plants or when blasting operations are in progress.
- Do not use liquid to clean the product. Only use a dry cloth.
- Never put metal objects inside the product. If a metal object enters the product turn off the circuit breaker and contact an authorised electrician.
- This product is not intended to be used when providing medical care. Consult the manufacturer of any personal medical devices, such as pacemakers or hearing aids to determine if they are adequately shielded from external RF (radio frequency) energy.
- Do not use this product in health care facilities. Hospitals or health care facilities may be using equipment that could be sensitive to external RF energy.
- Do not place heavy objects on top of the product.
- When you leave the product unused for a long time unplug the product from the power outlet.
- This product may interfere with other electronic products such as TV, radios, personal computers, phones or other wireless devices.

- The light source of this luminaire is not replaceable; when the light source reaches its end of life, the whole luminaire shall be replaced.
- Operating Temperature: -20 °C ~ 45 °C (-4 °F ~ 113 °F)

CAUTION!

Avoid replacement of a battery with an incorrect type that can defeat a safeguard.

Avoid disposal of a battery into fire or a hot oven, or mechanically crushing or cutting of a battery, that can result in an explosion.

Do not leave a battery in an extremely high temperature surrounding environment that can result in an explosion or the leakage of flammable liquid or gas; Do not leave a battery subjected to extremely low air pressure that may result in an explosion or the leakage of flammable liquid or gas.










Please read and follow the above safety information when operating the device. We cannot guarantee that no accidents or damage will occur due to improper use of the device. Please use this product with care and operate at your own risk.








Explanation of the symbols on the product label

Note: The product label is on the bottom of the product and its power supply. Symbols may vary from products.

注意：產品標籤位於產品底部和電源供應器上。符號可能因產品而異。

Symbol 符號解釋	Explanation 解釋
	Class II equipment Class II 設備
	Class II equipment with functional earthing 具有功能接地的Class II 設備
	Alternating current 交流電
	DC voltage 直流電壓
	Polarity of output terminals 輸出端子極性
	Indoor use only 僅限室內使用

Symbol 符號解釋	Explanation 解釋
	Dangerous voltage 危險電壓
	Caution, risk of electric shock 注意·有觸電危險
	Energy efficiency Marking 能源效率標示
	Protective earth 保護地線
	Earth 地線
	Frame or chassis 機架接地
	Functional earthing 功能地線
	Caution, hot surface 警告·表面高溫
	Caution 警告
	Operator's manual 操作手冊
	Stand-by 待機

Symbol 符號解釋	Explanation 解釋
	"ON"/"OFF" (push-push) 「開」/「關」(按壓式)
	Fuse 保險絲
	Fuse is used in neutral N 保險絲用於中性線N
 	RECYCLING This product bears the selective sorting symbol for Waste electrical and electronic equipment (WEEE). This means that this product must be handled pursuant to European directive 2012/19/EU in order to be recycled or dismantled to minimize its impact on the environment. User has the choice to give his product to a competent recycling organization or to the retailer when he buys a new electrical or electronic equipment. 回收利用 本產品標示有「廢棄電氣電子設備 (WEEE) 」的分類回收標誌。這表示本產品必須依據歐盟指令 2012/19/EU 進行妥善回收或拆解，以減少對環境的影響。 使用者可選擇將本產品交給合格的回收機構，或在購買新電器或電子設備時，交回給零售商進行回收處理。
	Caution, avoid listening at high volume levels for long periods 注意，避免長時間以高音量收聽
	Disconnection, all power plugs 斷開所有電源插頭

Sign Up for News & Offers

Follow Us

About

[About Us](#)

[Corporate Information](#)

[Our Security Commitment](#)

[Sustainability](#)

[Privacy Policy](#)

[Ethical Violation Complaint](#)

[Accessibility](#)

[Contact Us](#)

Press

[News](#)

[Blog](#)

[Awards](#)

[Security Advisory](#)

Learning Center

[Technology Library](#)

Worldwide / English

©2026 TP-Link Systems Inc. and its affiliated companies. All rights reserved.

TP-Link, Tapo, Kasa, Omada, VIGI, Aginet, HomeShield, and Tapo Care branded products are products of TP-Link Systems Inc. or its affiliates.

Note: Some services and materials may require you to accept additional terms and conditions before access or use.

References to "TP-Link" may include TP-Link Systems Inc., its subsidiaries, or business units within the TP-Link corporate structure, as applicable.

The materials provided, including but not limited to press releases, presentations, blog posts, and webcasts, are current as of the date of publication and may be superseded by subsequent updates.