

EH310_V1_Datasheet

☰ **Table of Contents**

1 to 3 Gigabit Ethernet Splitter



**Triple-Device
Access**



**1000 Mbps
Speed**



**Power & Ethernet
Cable Included**



**Durable
Metal Case**



**Plug and
Play**

Highlights

Simultaneous Internet Access for Three Devices

EH310 is compatible with Cat 8/7/6/5e/5 network Ethernet cables and can be used with hubs, switches, routers, computers, and more.

*This product cannot be used without a power source.



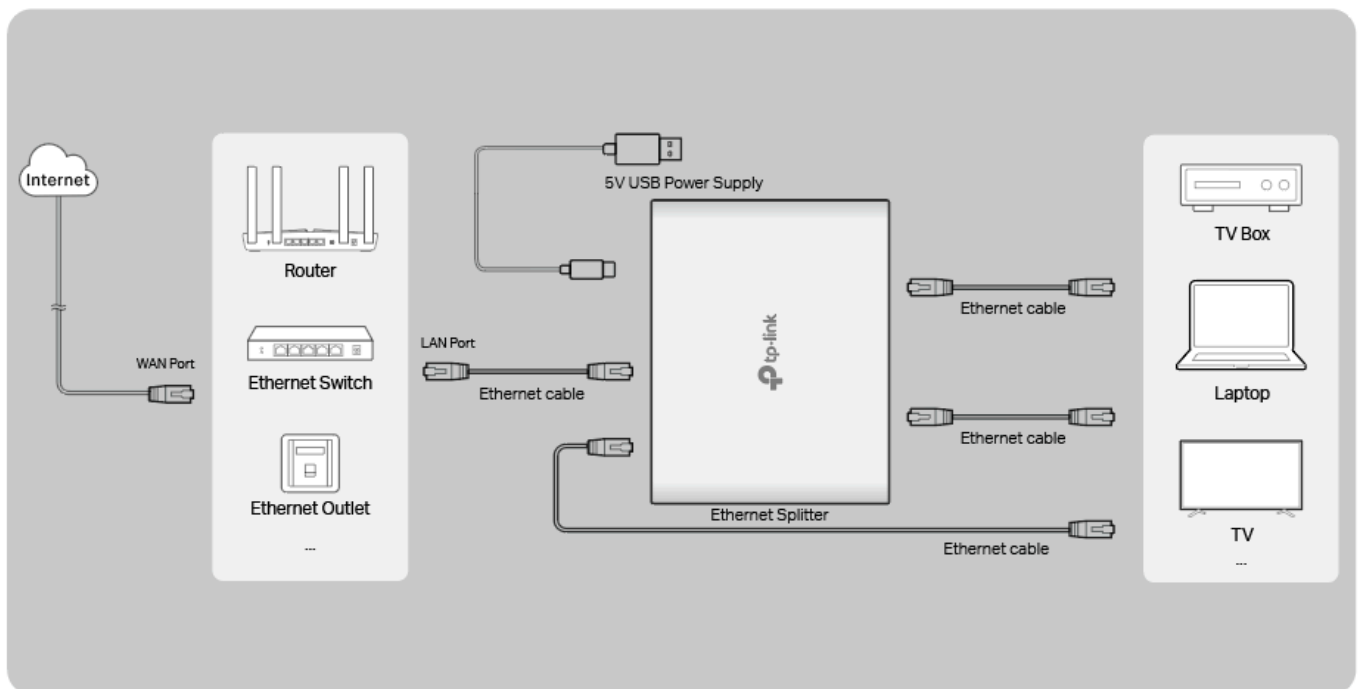
Plug & Play

Super compatible for multiple scenes, devices, and cables.



Compact Metal Case

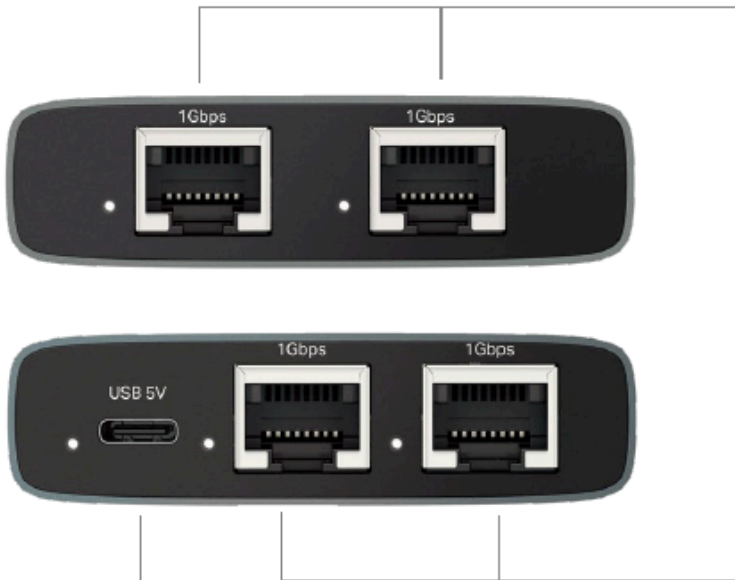
Durable and portable with efficient heat dissipation.



Specifications

Hardware

- Ethernet Ports: 4× 10/100/1000 Mbps RJ45 Ports (Auto-Negotiation, Auto MDI/MDIX, Half and Full Duplex)
- Power: USB-C, 5VDC / 0.3A
- LED: 1× Power, 4× Ports



1 Gbps Ethernet Port
For connecting to your device such as switches, TVs, routers, computers, etc.

USB-C Port*

For charging via a USB power adapter, PC, laptop, etc.

* Does not support data transfer.

Physical

- Dimension (W×D×H): 2.63×1.83×0.72 in (66.68×46.6×18.3 mm)
- Cable: Cat 8, Cat 7, Cat 6, Cat 5e, Cat 5
- Package Contents:
 - 1× Ethernet Splitter (EH310)
 - 1× USB Power Cable
 - 1× Cat 5e Ethernet Cable
 - Quick Installation Guide

Others

- Supported Systems: Windows, iOS, macOS, iPadOS, Chrome OS, Linux, Android
- Certification: CE, FCC, RoHS, BSMI
- Operating Temperature/Humidity: 0°C~40°C(32°F~104°F)/10%~90% RH, Non-Condensing
- Advanced: Green Technology, 802.3x Flow Control, 802.1p/DSCP QoS
- Devices Supported: Hubs, switches, routers, computers, and more.



For more information, please visit https://www.tp-link.com/products/details/?model=EH310_V1 or scan the QR code left

This device complies with part 15 of the FCC Rules. Operation is subject to the following two conditions: (1) This device may not cause harmful interference, and (2) this device must accept any interference received, including interference that may cause undesired operation.

Specifications are subject to change without notice. Other brands and product names are trademarks or registered trademarks of their respective holders.

†Actual network speed may be limited by the rate of the product's Ethernet WAN or LAN port, the rate supported by the network cable, internet service provider factors, and other environmental conditions.

©2025 TP-Link

Sign Up for News & Offers

Email Address Sign Up

Follow Us

About

- About Us
- Corporate Information
- Our Security Commitment
- Sustainability
- Privacy Policy
- Ethical Violation Complaint
- Accessibility
- Contact Us

Press

- News
- Blog
- Awards
- Security Advisory

Learning Center

- Technology Library

©2026 TP-Link Systems Inc. and its affiliated companies. All rights reserved.

TP-Link, Tapo, Kasa, Omada, VIGI, Aginet, HomeShield, and Tapo Care branded products are products of TP-Link Systems Inc. or its affiliates.

Note: Some services and materials may require you to accept additional terms and conditions before access or use.

References to "TP-Link" may include TP-Link Systems Inc., its subsidiaries, or business units within the TP-Link corporate structure, as applicable.

The materials provided, including but not limited to press releases, presentations, blog posts, and webcasts, are current as of the date of publication and may be superseded by subsequent updates.