

# EAP727\_Multi-model\_Installation Guide

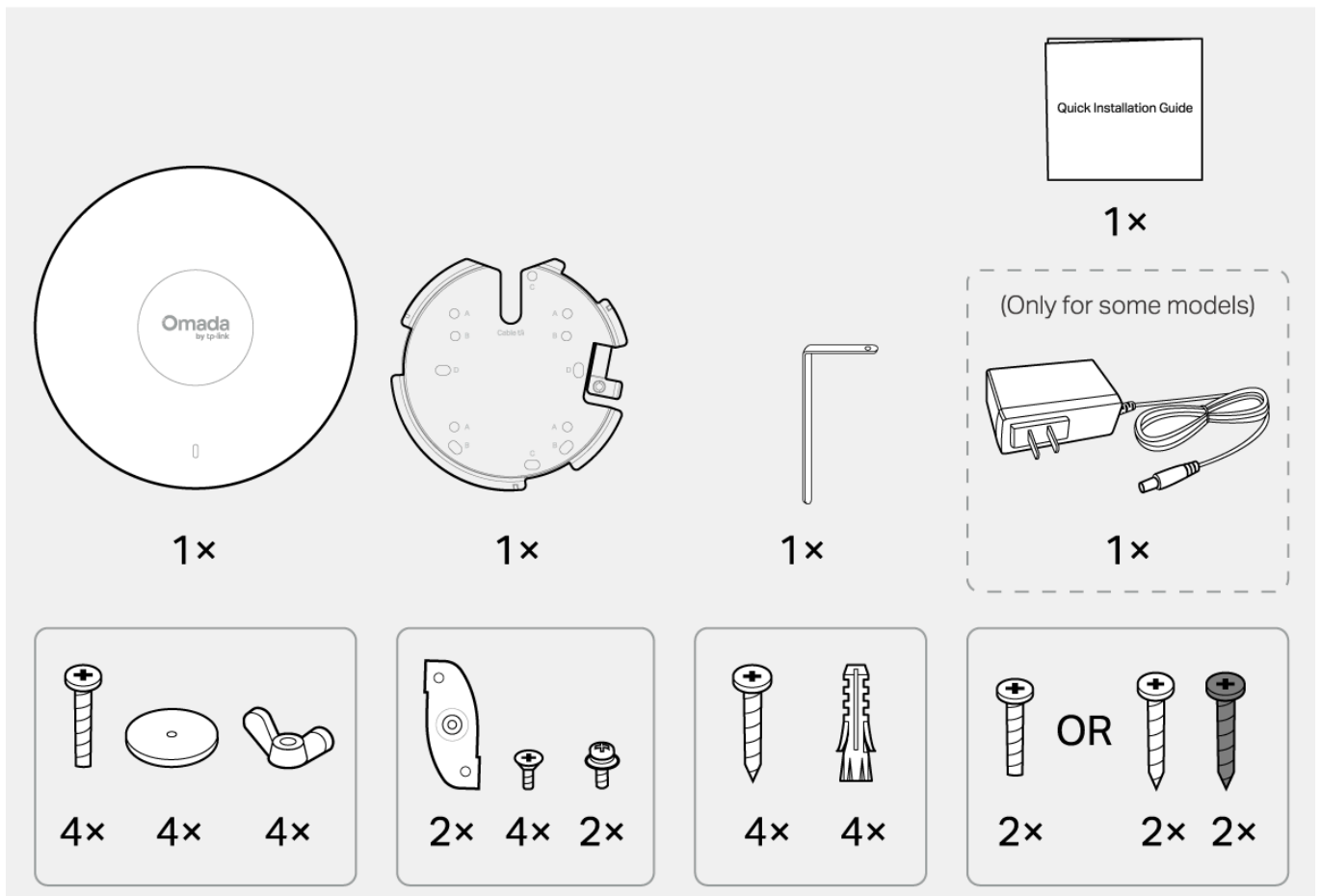
Hardware Installation Guide

🕒 12-07-2025    👁 1557

☰ Table of Contents

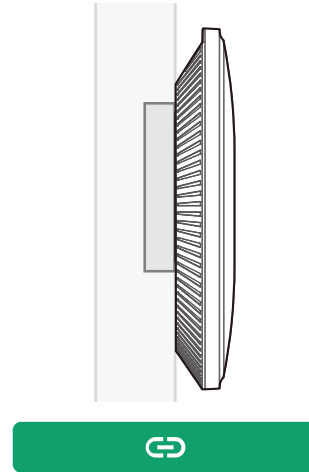
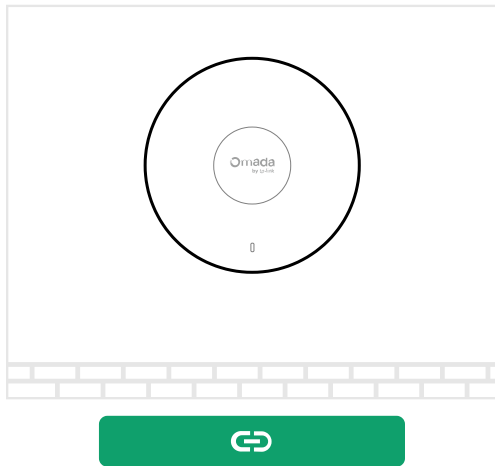
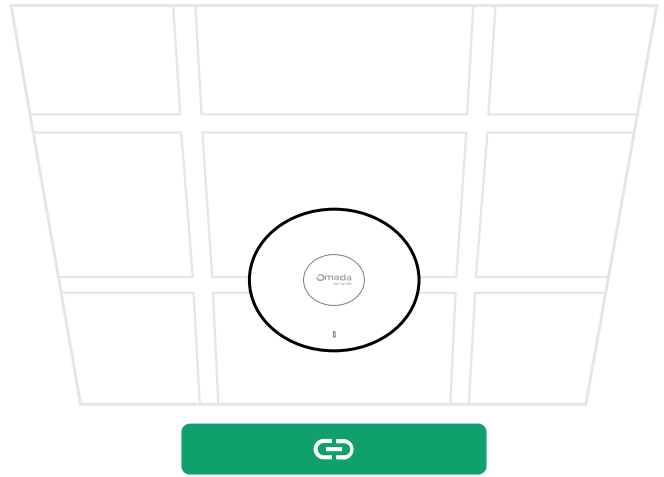
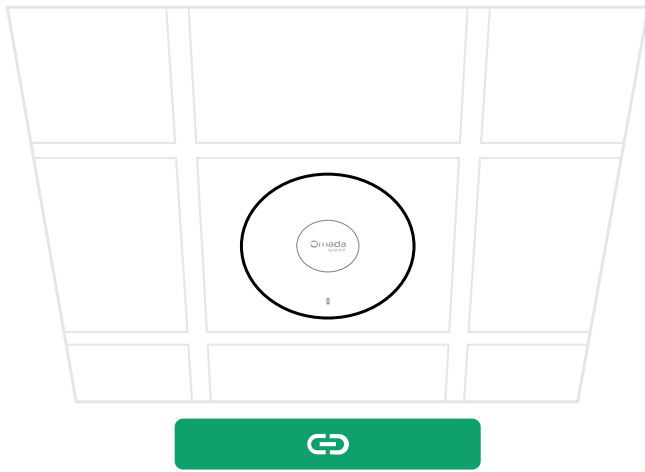
Note: EAP727 is used as an example throughout the guide. Images may differ from your actual product.

## Package Contents

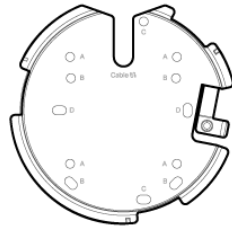
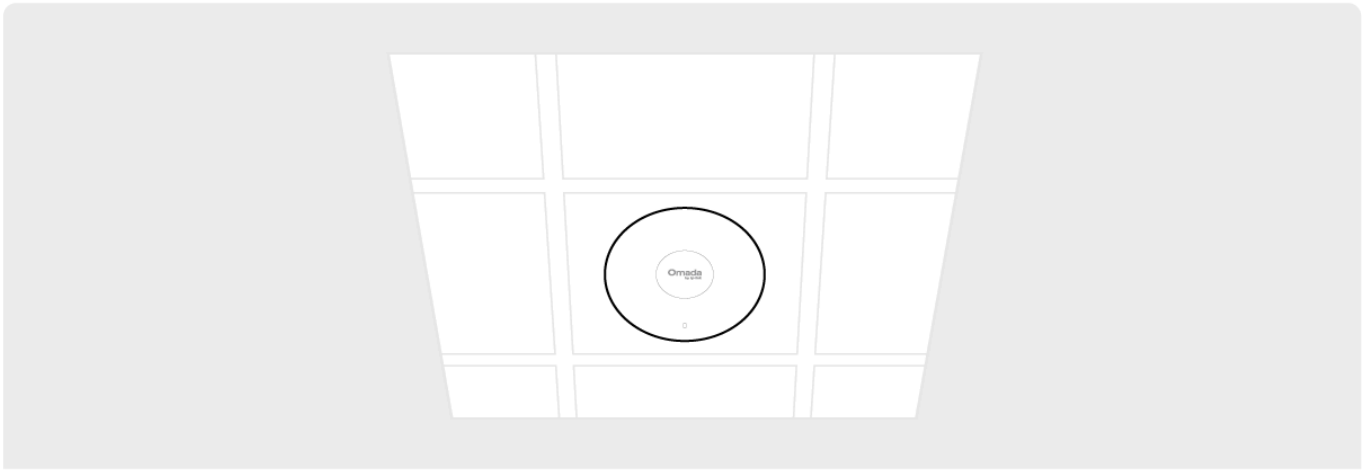


Note: Accessories may vary by region and model.

# 1 Installation



## Ceiling Mounting (on a Tile)



1x



4x

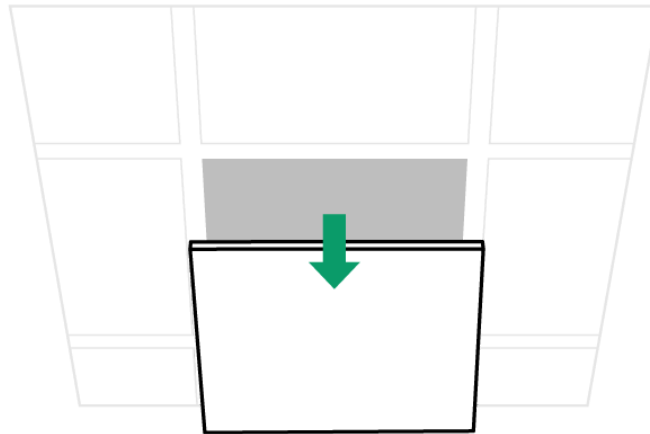


4x



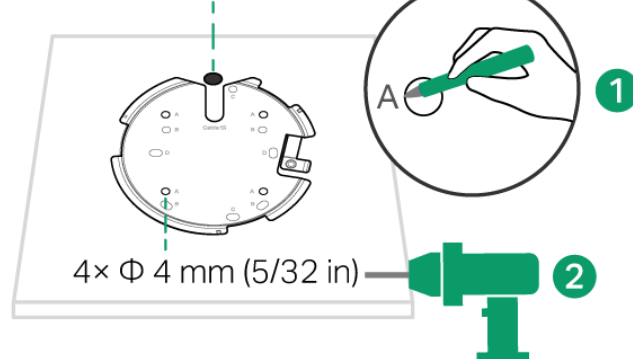
4x

1

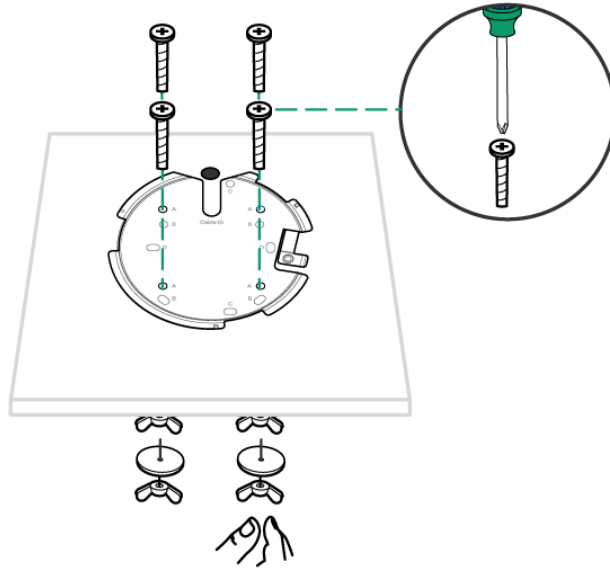


2

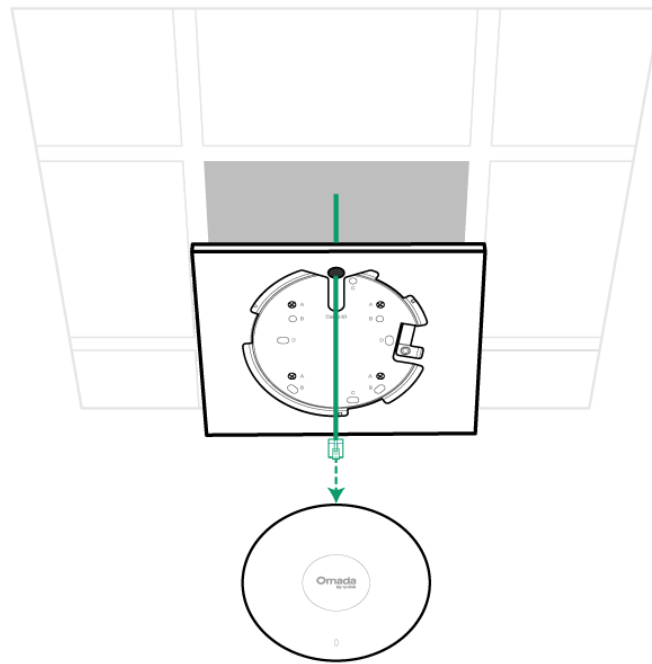
1x  $\Phi$  25 mm (63/64 in)



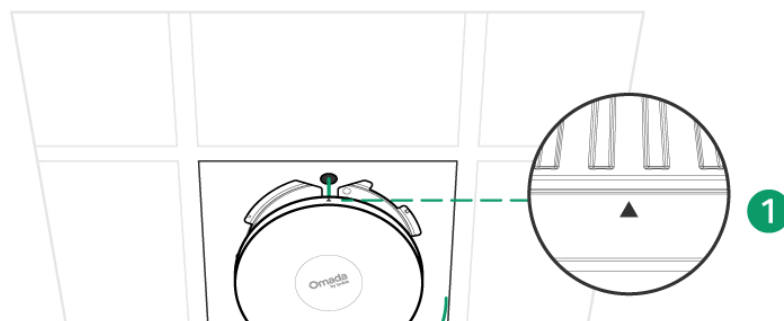
3



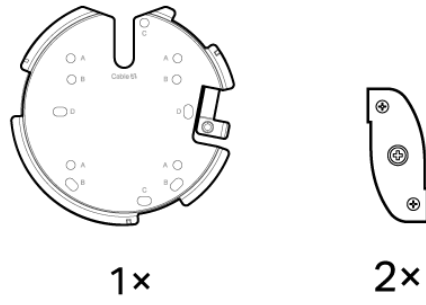
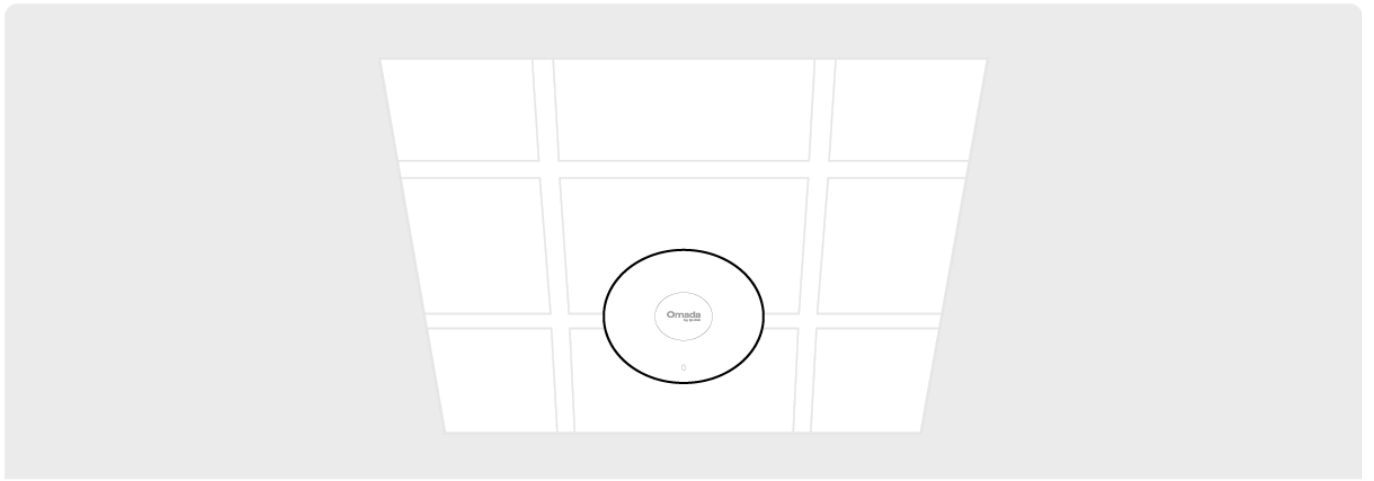
4



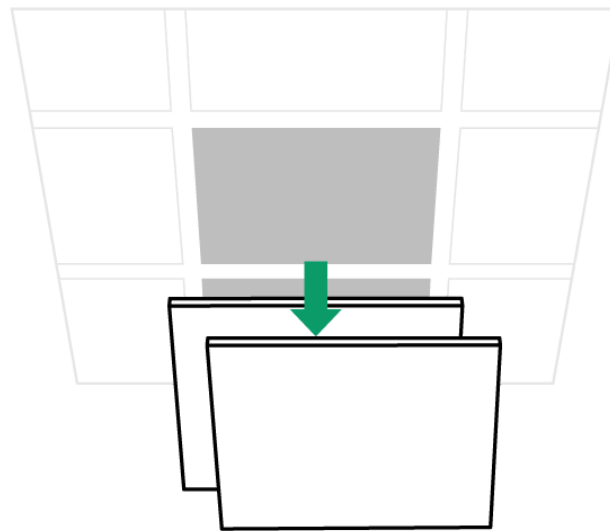
5



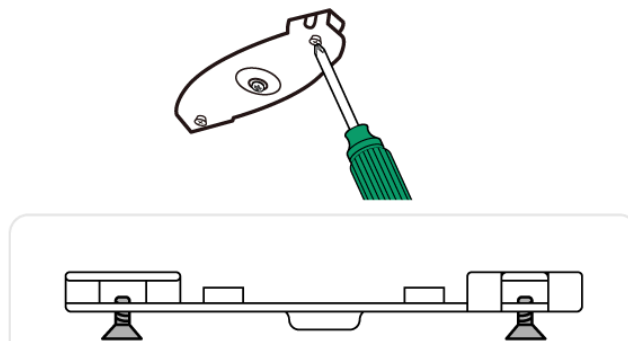
## Ceiling Mounting (on a T-bar)



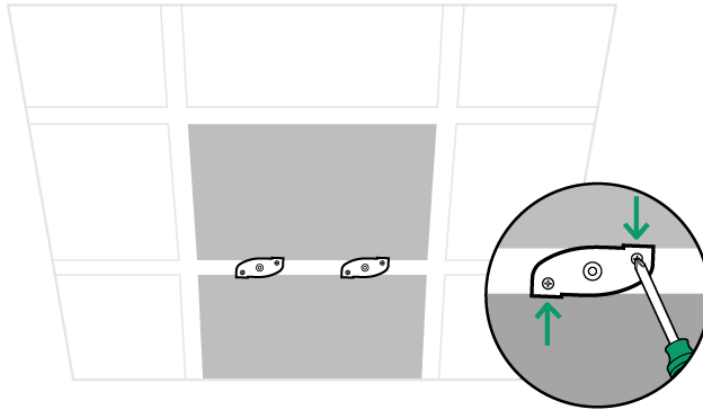
1



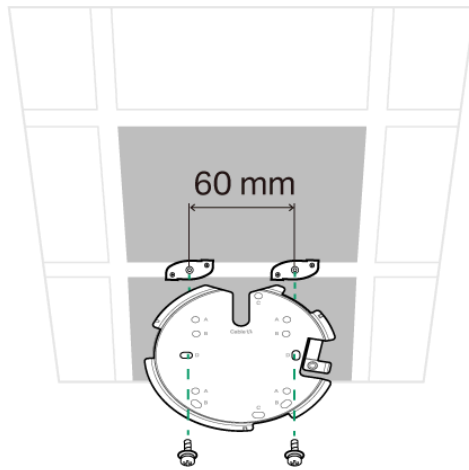
2



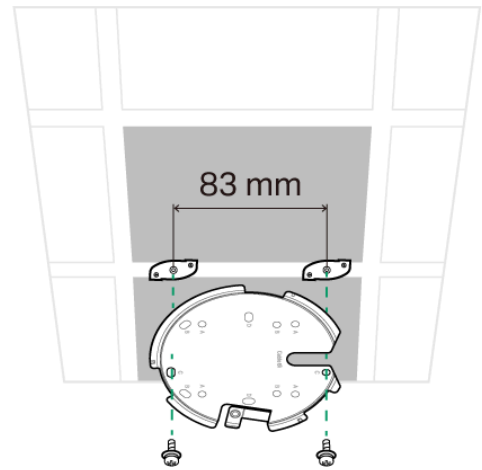
3



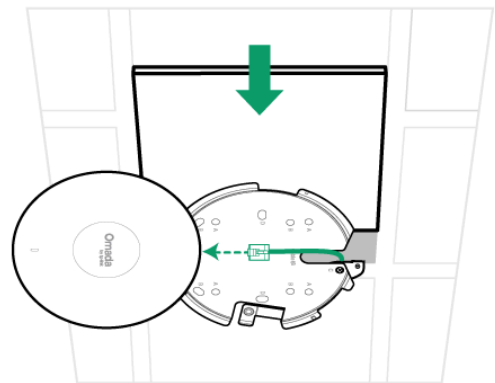
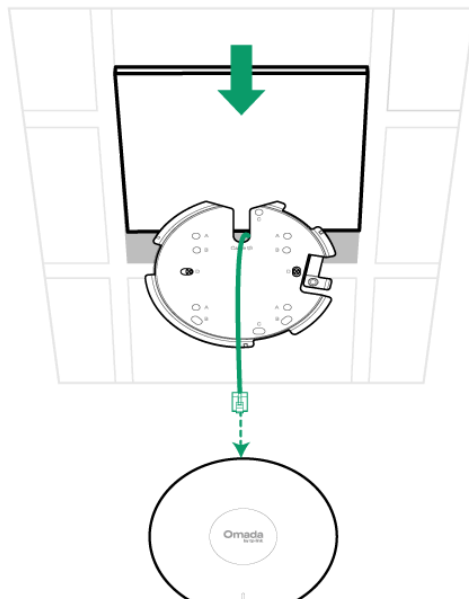
4



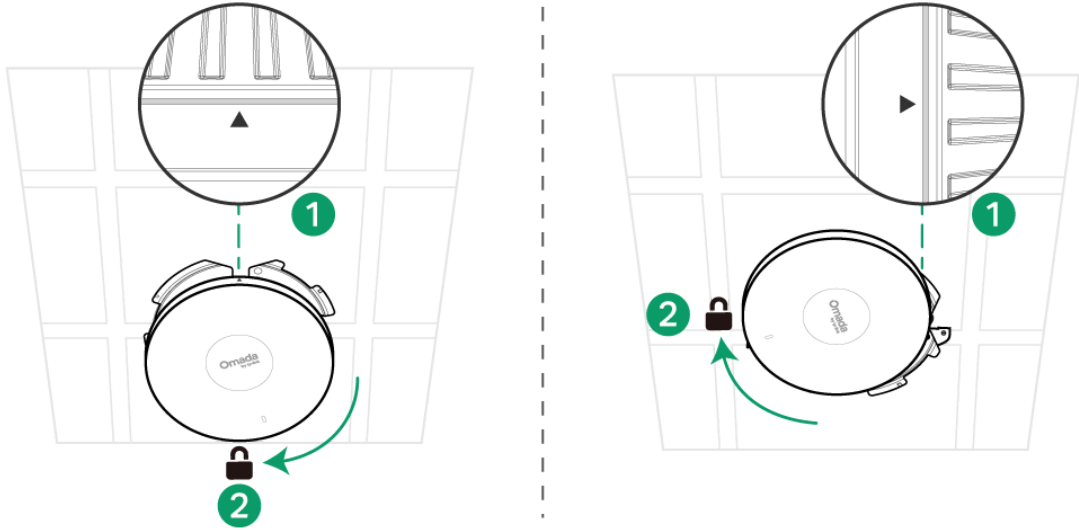
Or



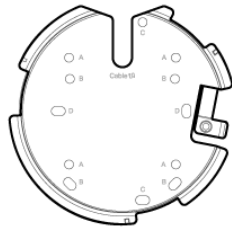
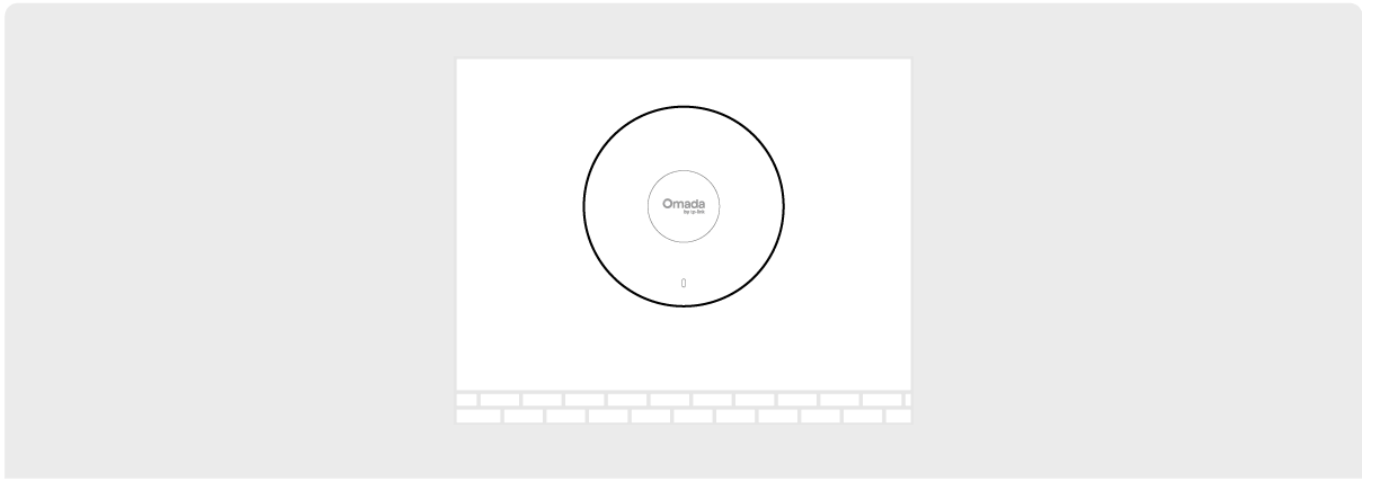
5



6



## Wall Mounting



1x

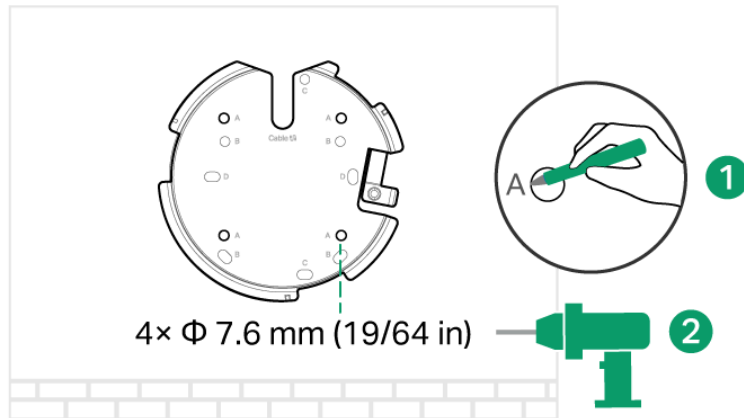


4x

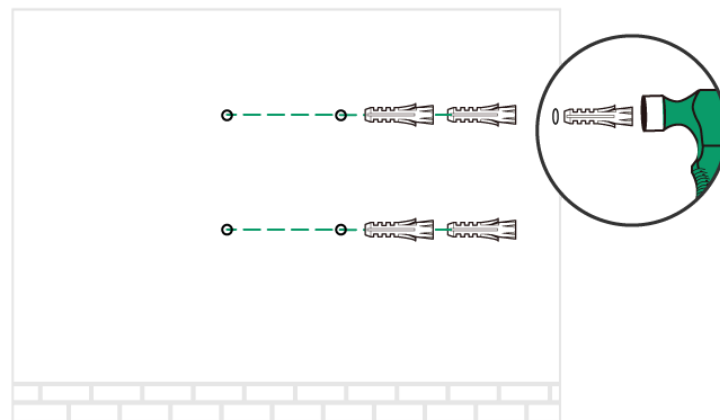


4x

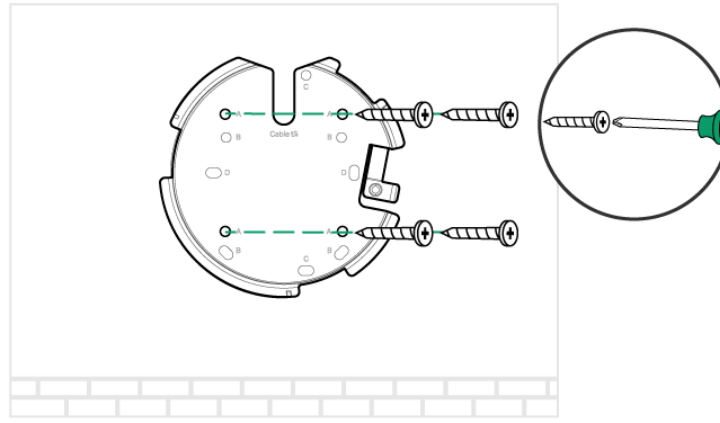
1



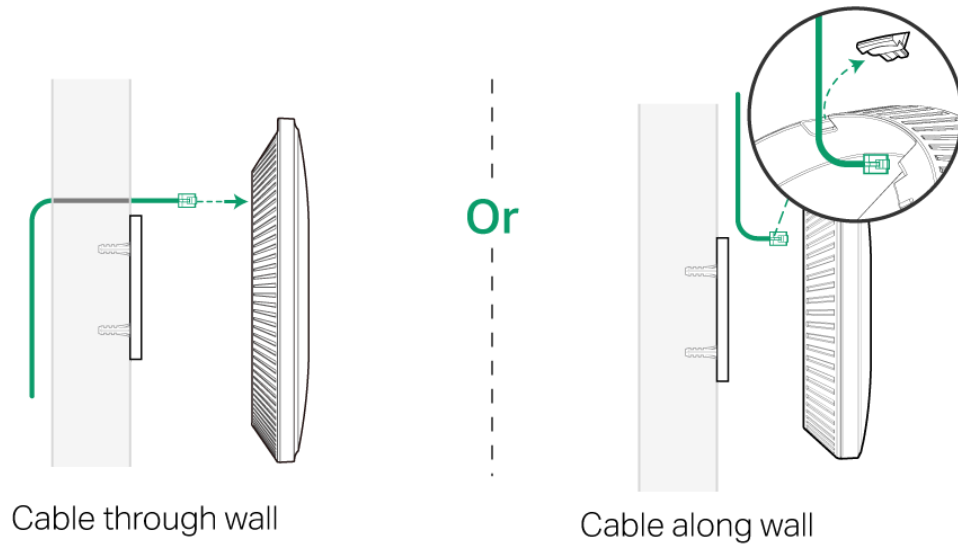
2



3



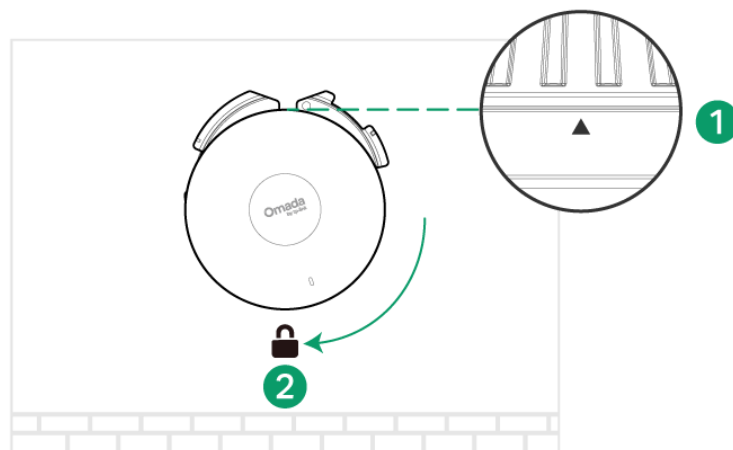
4



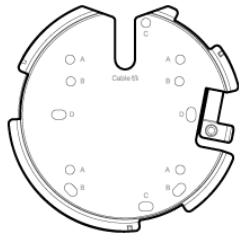
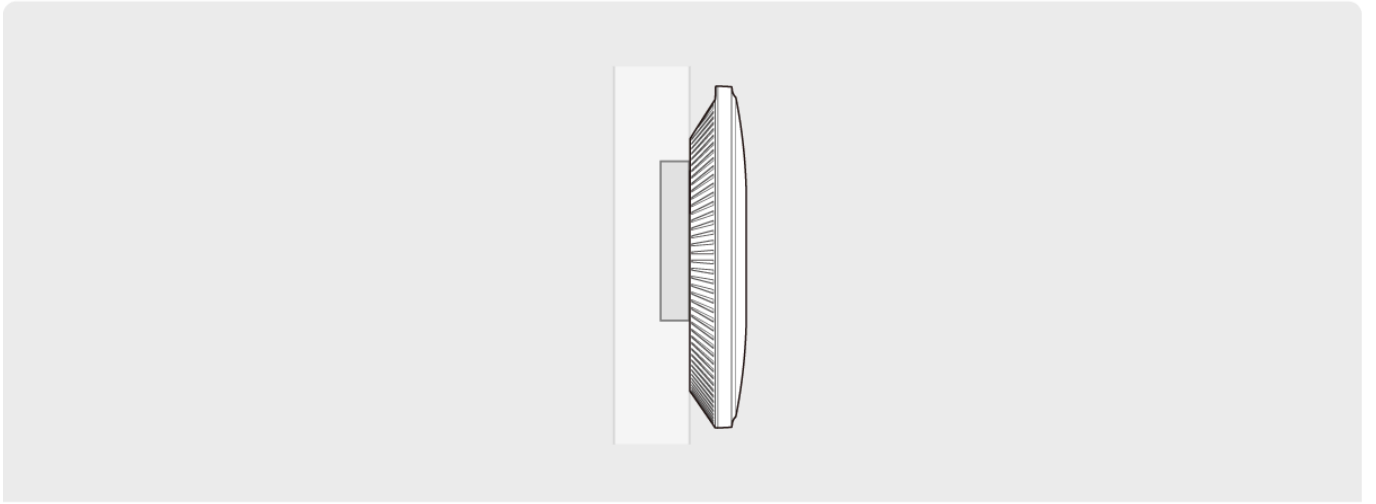
Cable through wall

Cable along wall

5



### Junction Box Mounting



1x



2x

OR



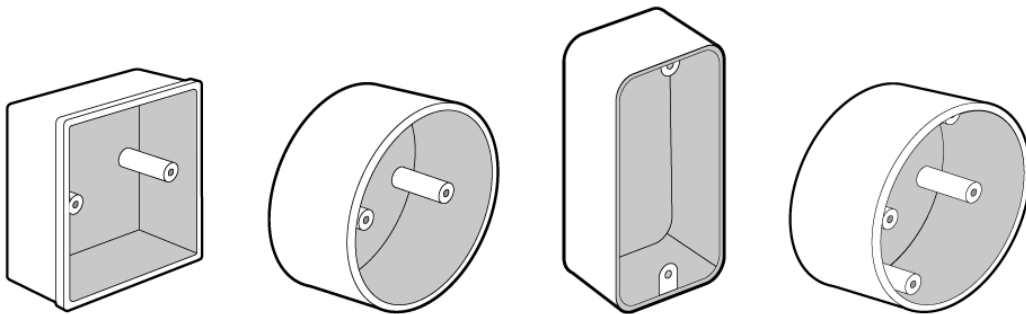
2x

OR



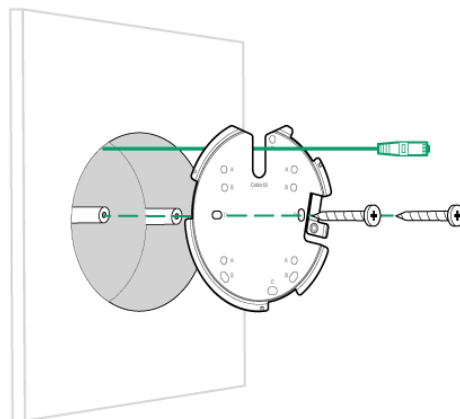
2x

Choose the accessory screws that fit your junction box.  
Compatible wall junctions are as follows:

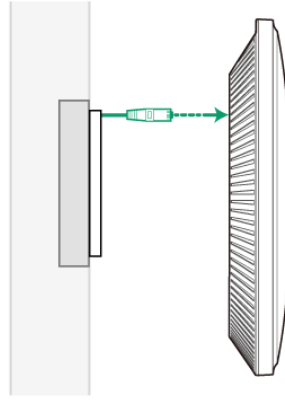


For simplicity, an 86 mm wall junction box is used as an example.

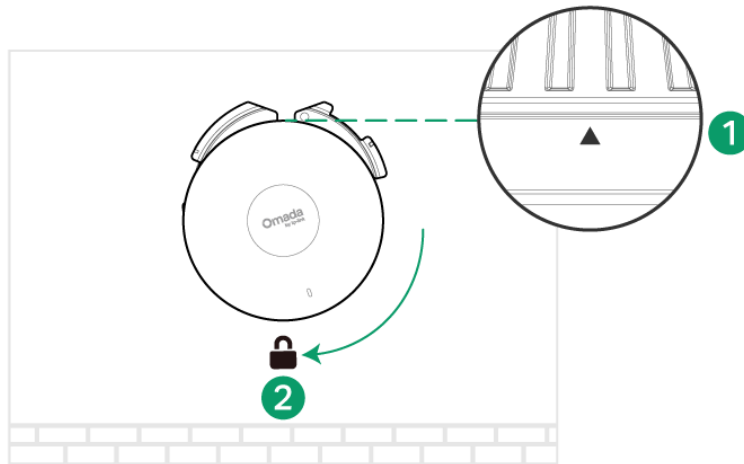
1



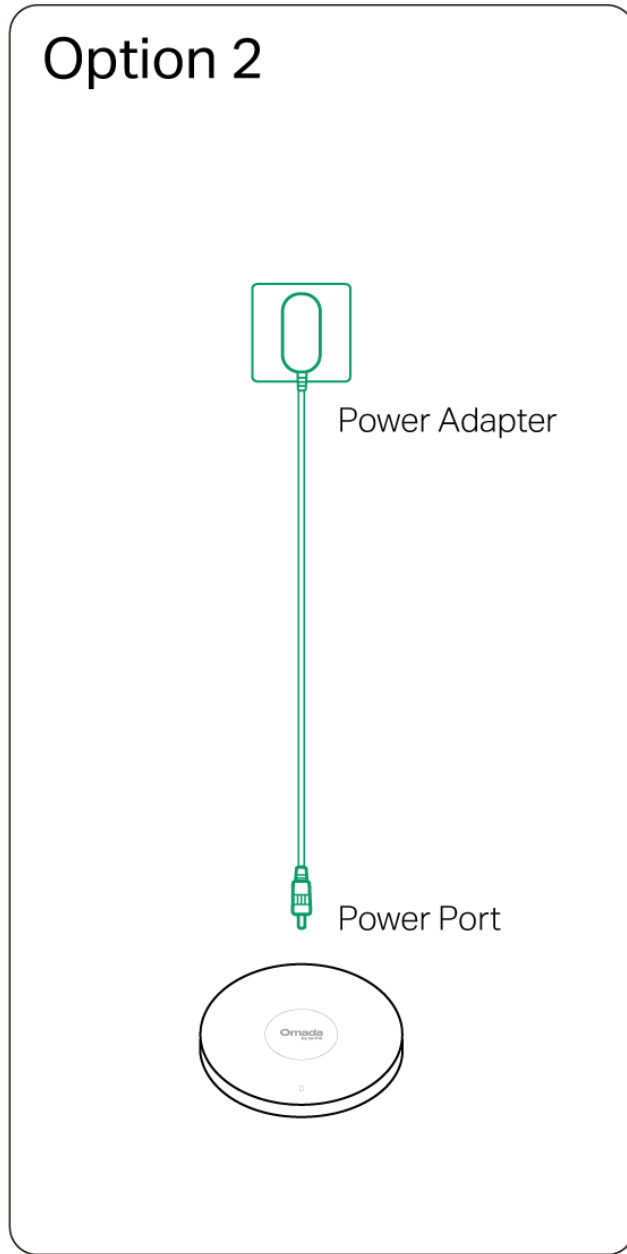
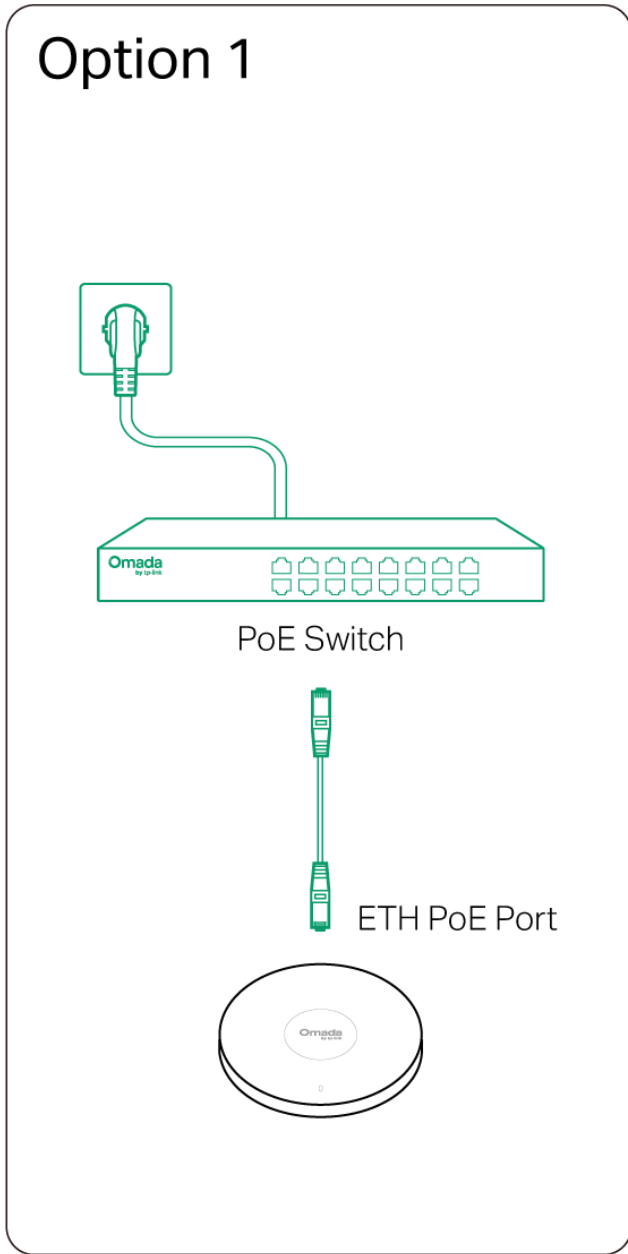
2



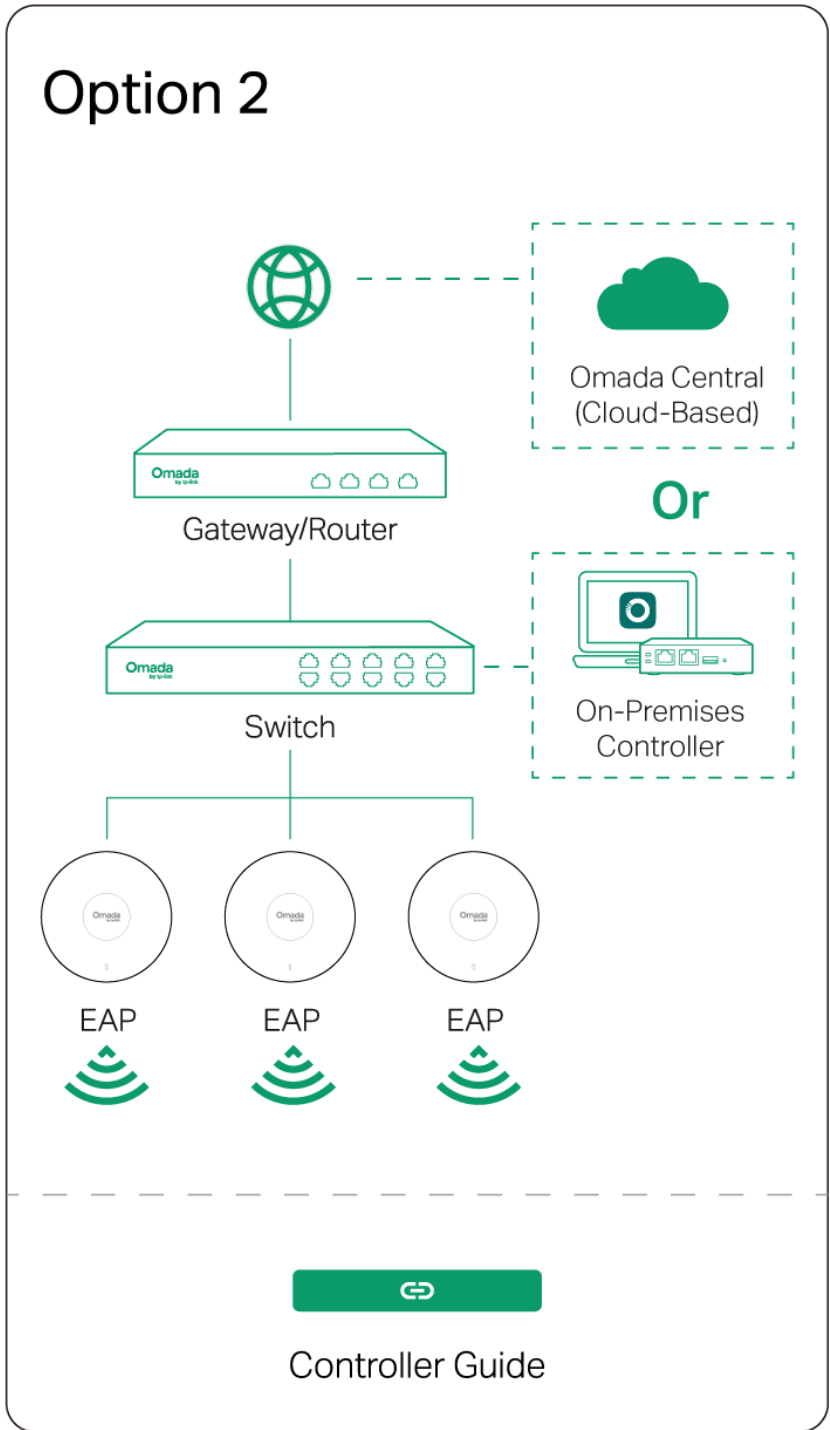
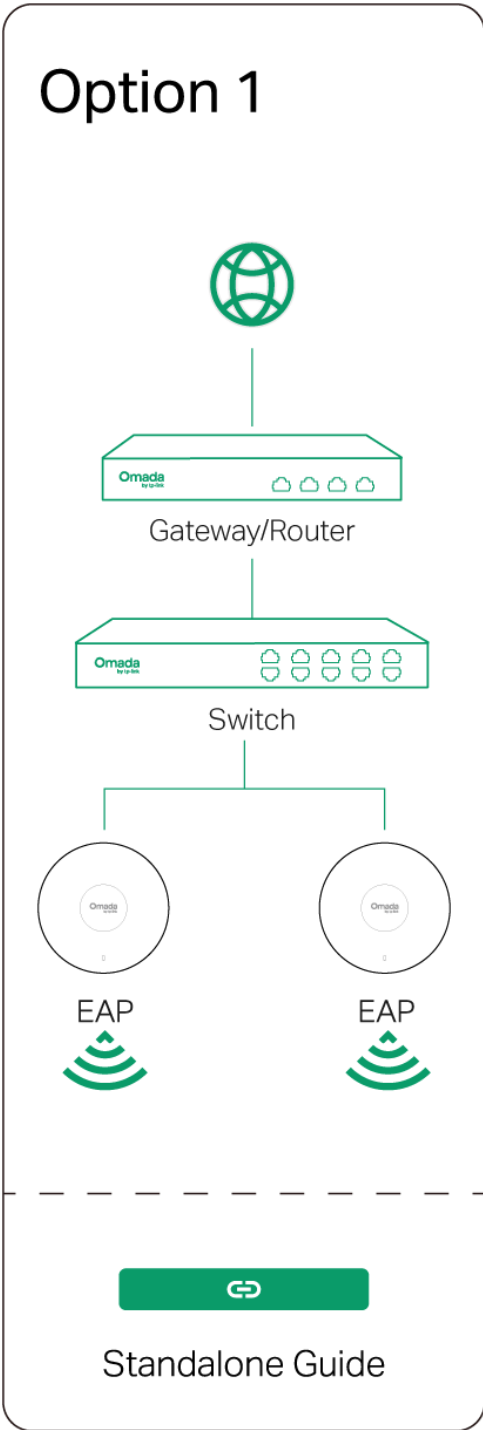
3



## 2 Power On



## 3 Configuration



## Omada App



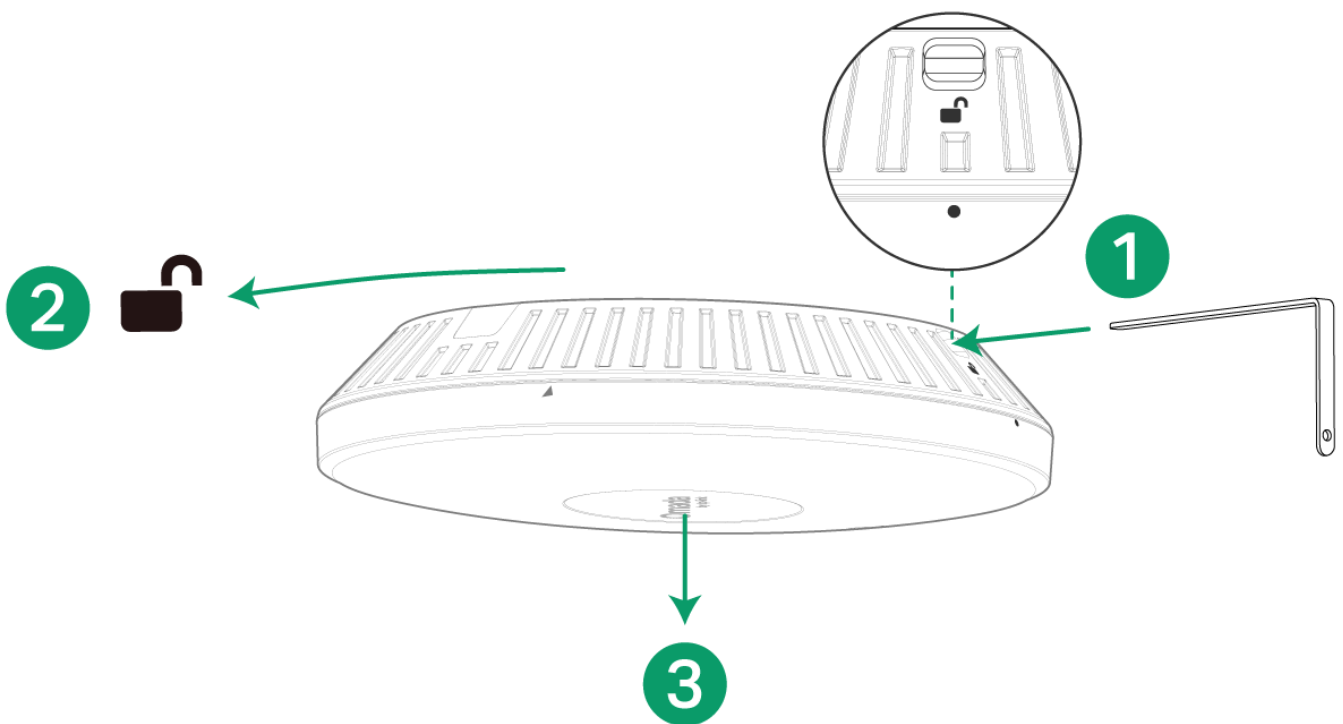
Omada App

## Uninstalling the AP

(Only for some models)



1x



Please Rate this Document



Related Documents

[Hardware Installation Guide](#)

🕒 05-16-2025    👁 7554

---

## ES210GP(UN)\_Multi-model\_Installation Guide

[Hardware Installation Guide](#)

🕒 08-01-2025    👁 7072

---

## ES210X-M2(UN)\_Multi-model\_Installation Guide

[Hardware Installation Guide](#)

🕒 08-01-2025    👁 5609

---

## EAP230-Wall\_Multi-model\_Installation Guide

[Hardware Installation Guide](#)

🕒 12-22-2025    👁 2457

---

## EAP655-Wall\_Multi-model\_Installation Guide

[Hardware Installation Guide](#)

🕒 12-22-2025    👁 3572

---

Sign Up for News & Offers

Email Address

[Sign Up](#)

Follow Us

Press

Partners

Learning Center

Worldwide / English

©2026 TP-Link Systems Inc. and its affiliated companies. All rights reserved.

TP-Link, Tapo, Kasa, Omada, VIGI, Aginet, HomeShield, and Tapo Care branded products are products of TP-Link Systems Inc. or its affiliates.

Note: Some services and materials may require you to accept additional terms and conditions before access or use.

References to "TP-Link" may include TP-Link Systems Inc., its subsidiaries, or business units within the TP-Link corporate structure, as applicable.

The materials provided, including but not limited to press releases, presentations, blog posts, and webcasts, are current as of the date of publication and may be superseded by subsequent updates.