

Tapo C401 KIT V2 Setup Guide

Tapo C401 KIT V2: Solar-Powered Security Camera Kit

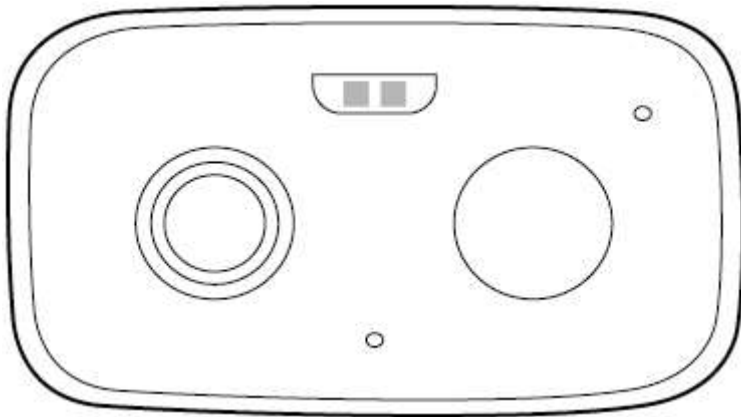
Welcome to the setup guide.

To ensure equal access for all users, we offer this accessible setup guide. This guide is designed to meet accessibility needs, enabling a successful setup. It will introduce the appearance of your camera and solar panel, including its ports, buttons and labels, and then guide you through connecting the setup process.

Step 1. Know about your camera

In this section, we will describe the camera's appearance, including its ports, buttons, and labels.

1. You can find your camera in the package.
2. Next, place your camera on a horizontal surface, such as on a shelf or desktop. To ensure the camera is placed correctly, place the silicone portion on a flat surface with the lens facing forward.
3. After positioning your camera correctly, we will introduce the ports, buttons and labels on your device in a certain order.



IR & White Light LEDs: Located at the top center of the front of the camera.

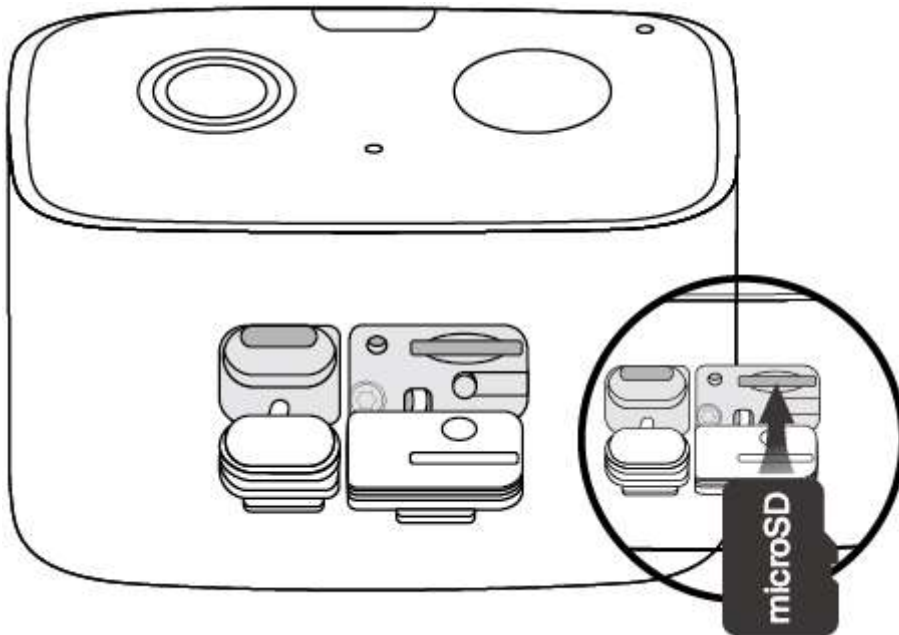
Lens: Located to the left below the IR & White LEDs,, a recessed circular area for capturing things within its view.

Motion Sensor: Located to the right below the IR & White LEDs, a raised circular area for detecting motion.

Status LED: Located in the upper right corner of the motion sensor. It shows your camera status. You can check the camera status in the Tapo app.

Microphone: Right below the LED, close to the bottom edge, for capturing your voice.

Turning to the bottom of the camera, you will find two silicone parts that can be easily opened.



For the smaller unit on the left:

USB Type-C Charging Port: For USB charging.

For the larger unit on the right:

Reset Button: A tiny hole located in the upper left. Use a pin to press and hold for 5s to reset Wi-Fi while keep other settings; press and hold for 10s to reset to factory settings. You will hear voice prompts when reset successfully.

microSD Card Slot: On the upper right next to the Reset hole. Insert a microSD card with the notch.

Power Button: Under the the microSD Card Slot. Press and hold the button for about 3 seconds to turn on/off the camera. You will hear a sound when turning on/off.

Product "Label": The product label is through laser engraving.

Step 2. Know about solar panel

In this section, we will describe the solar panel's appearance.

1. You can find a large rectangular flat panel and a mouting bracket in the package.
2. The back of the solar panel is where the power cable comes out. You can connect this cable to the camera USB port to charge the camera. The notch next to the power cable is where the bracket snaps

into place to secure the solar panel.

3. The front side is made of high-efficiency solar cells, facing the sun to get most sunlight.

Step 3. Set Up

1. Get the Tapo app from the App Store or Google Play, then log in.



2. Press and hold the Power button for about 3 seconds to turn on the camera. You will hear a sound when turning on.

3. Tap the + button in the app and select your camera model. Follow app instructions to complete setup.

If you need help, please visit <https://www.tapo.com/support/> for technical support, the user guide, FAQs, warranty & more.

For details on Tapo app accessibility, please check [Accessibility Support](#).

Safety Information

For Solar Panel:

- Keep the device away from fire or hot environments. DO NOT immerse in water or any other liquid.
- Do not attempt to disassemble, repair, or modify the device. If you need service, please contact us.

For Battery Camera

- Do not use damaged charger or USB cable to charge the device.
- Do not use any other chargers than those recommended.
- Do not use the device where wireless devices are not allowed.
- Adapter shall be easily accessible.
- Keep the device away from fire or hot environments. DO NOT immerse in water or any other liquid.
- Do not disassemble, repair or modify the product.
- Do not place near automatically controlled devices such as fire alarms. Radio waves emitted from this product may cause such devices to malfunction resulting in an accident.
- Observe restrictions on using wireless products in fuel depots, chemical plants or when blasting operations are in progress.

- Do not use liquid to clean the product. Only use a dry cloth.
- Never put metal objects inside the product. If a metal object enters the product turn off the circuit breaker and contact an authorised electrician.
- This product is not intended to be used when providing medical care. Consult the manufacturer of any personal medical devices, such as pacemakers or hearing aids to determine if they are adequately shielded from external RF (radio frequency) energy.
- Do not use this product in health care facilities. Hospitals or health care facilities may be using equipment that could be sensitive to external RF energy.
- Do not place heavy objects on top of the product.
- When you leave the product unused for a long time unplug the product from the power outlet.
- This product may interfere with other electronic products such as TV, radios, personal computers, phones or other wireless devices.
- Operating Temperature: -20°C ~ 45°C (-4°F ~ 113°F)
- Adapter should be used indoors where the ambient temperature is lower than or equal to 40°C.
- This equipment can be powered only by equipments that comply with Power Source Class 2 (PS2) or Limited Power Source(LPS) defined in the standard of IEC 62368-1.

CAUTION!

Avoid replacement of a battery with an incorrect type that can defeat a safeguard.

Avoid disposal of a battery into fire or a hot oven, or mechanically crushing or cutting of a battery, that can result in an explosion.

Do not leave a battery in an extremely high temperature surrounding environment that can result in an explosion or the leakage of flammable liquid or gas; Do not leave a battery subjected to extremely low air pressure that may result in an explosion or the leakage of flammable liquid or gas.

Please read and follow the above safety information when operating the device. We cannot guarantee that no accidents or damage will occur due to improper use of the device. Please use this product with care and operate at your own risk.

Sign Up for News & Offers**Follow Us**

About

Press

Learning Center

About Us

News

Technology Library

Corporate Information

Blog

Our Security Commitment

Awards

Sustainability

Security Advisory

Privacy Policy

Ethical Violation Complaint

Accessibility

Contact Us

©2026 TP-Link Systems Inc. and its affiliated companies. All rights reserved.

Worldwide / English

TP-Link, Tapo, Kasa, Omada, VIGI, Aginet, HomeShield, and Tapo Care branded products are products of TP-Link Systems Inc. or its affiliates.

Note: Some services and materials may require you to accept additional terms and conditions before access or use.

References to "TP-Link" may include TP-Link Systems Inc., its subsidiaries, or business units within the TP-Link corporate structure, as applicable.

The materials provided, including but not limited to press releases, presentations, blog posts, and webcasts, are current as of the date of publication and may be superseded by subsequent updates.