

Quick Installation Guide

VIGI Solar Panel



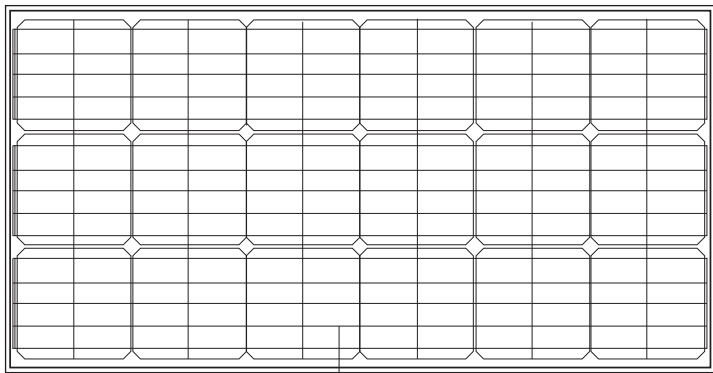
*Images may differ from actual products. VIGI Solar Panel 90W is used for demonstration in this guide

©2024 TP-Link 7106511036 REV1.0.0

For technical support, the user guide and other information, please visit <https://www.tp-link.com/support/?type=smb>, or simply scan the QR code.

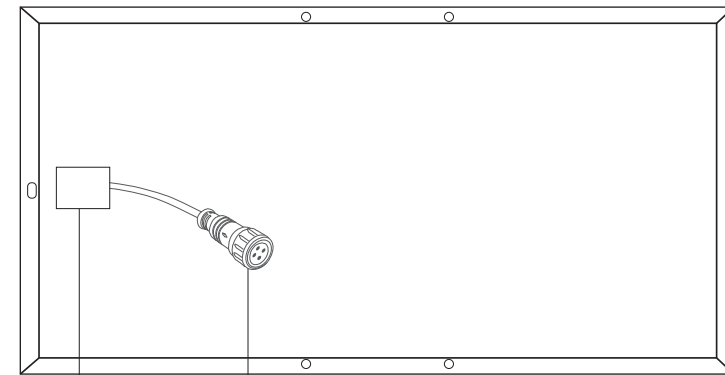
Product Overview

Front Panel



Solar Panel

Back Panel



Junction Box

Four-pin male connector for connecting VIGI Power System

Specifications

Items	VIGI Solar Panel 60W	VIGI Solar Panel 90W
Size	690mm×516mm×30mm	998mm×516mm×30mm
Output Power/Voltage	60W/18V	90W/18V
Material	Monocrystalline Silicon	

Work with VIGI Power System

It is recommended to use VIGI solar panels with VIGI power systems. Recommendation is as follows:

VIGI Solar Panel 60W	VIGI Solar Panel 90W
VIGI Power System 20Ah VIGI Power System 30Ah	VIGI Power System 30Ah

Refer to the VIGI power system's installation guide for detailed instructions.