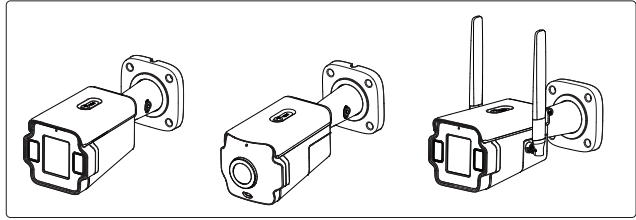


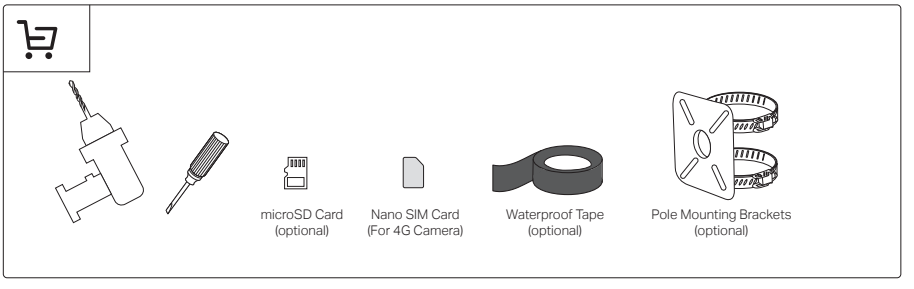
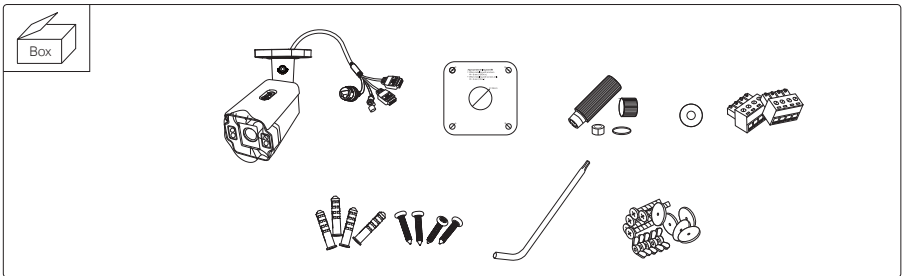
Installation Guide

InSight Series Bullet Network Camera

*Images may differ from actual products.
InSight S345Z1 is used for demonstration in this guide.
©2024 TP-Link 7106511878 REV1.1.1

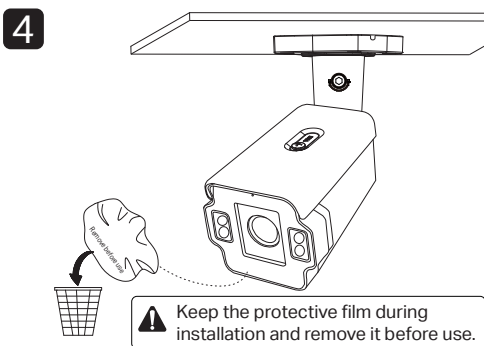
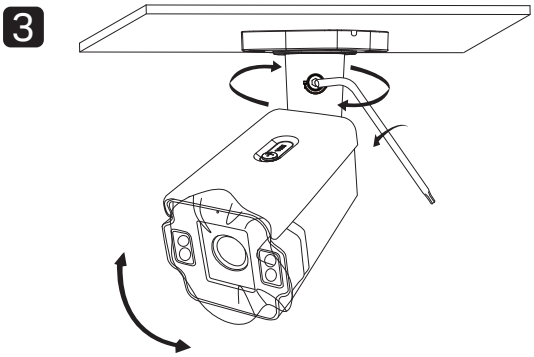
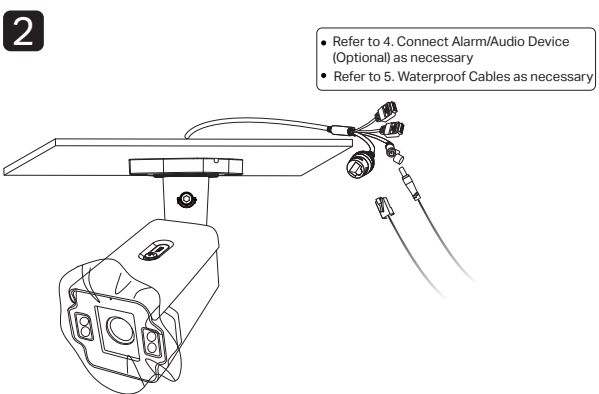
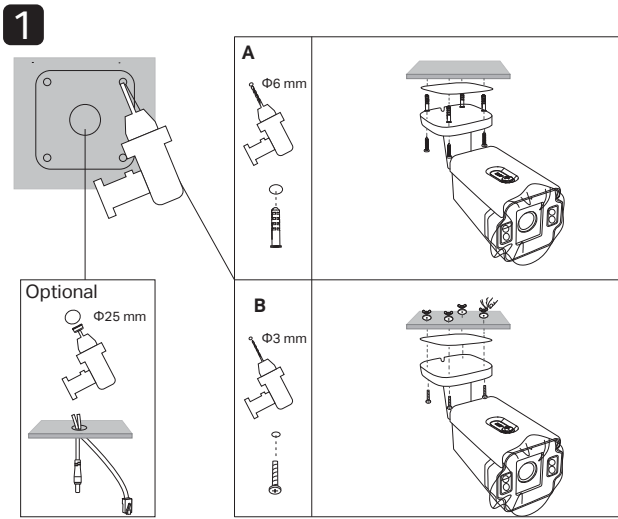
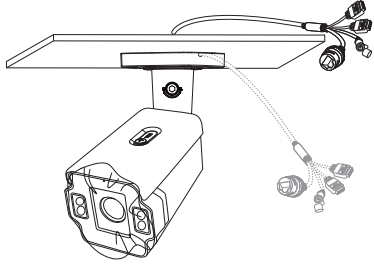


1. Get Ready

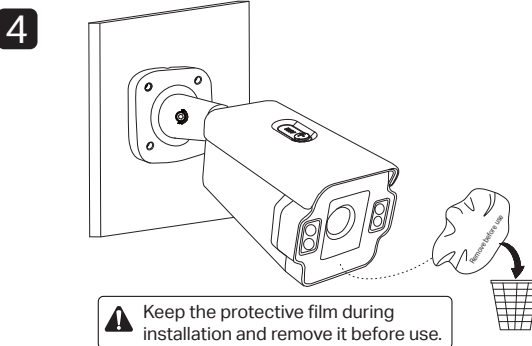
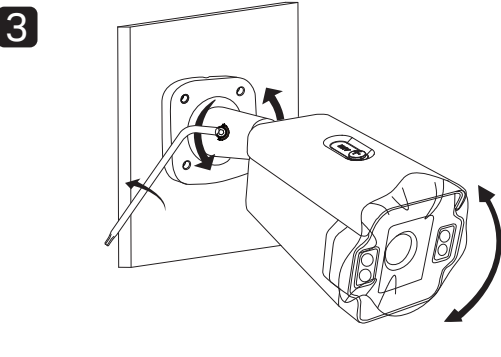
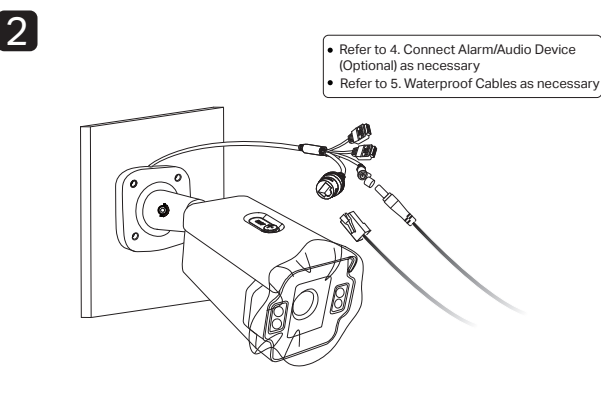
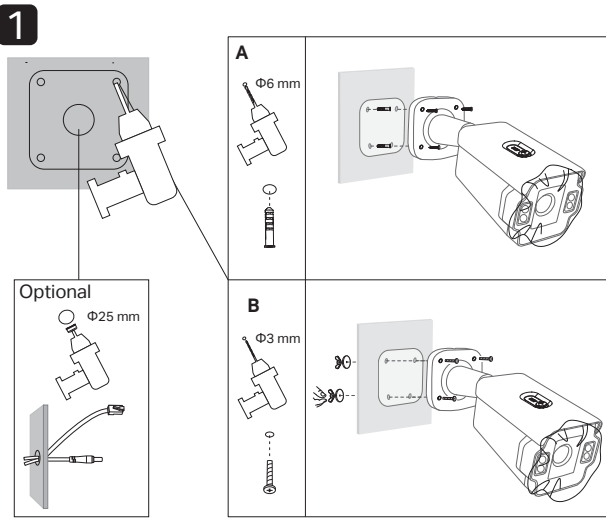
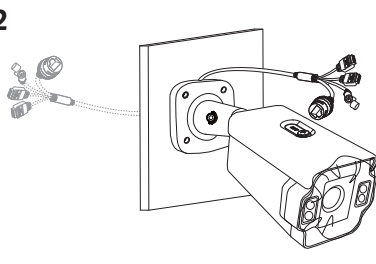


2. Mount Camera

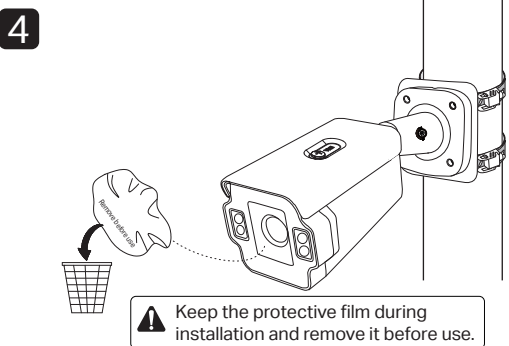
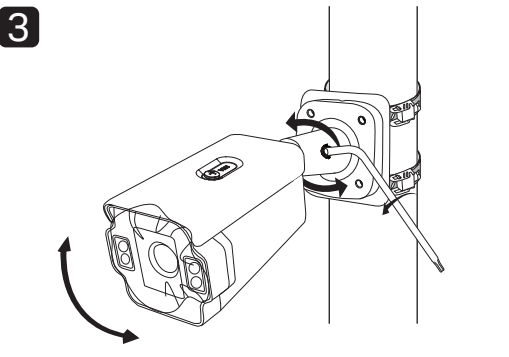
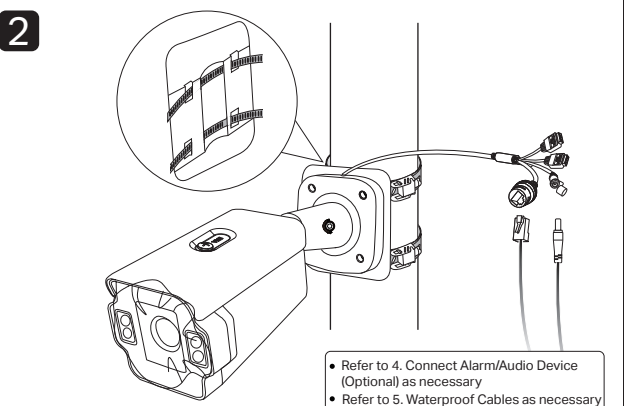
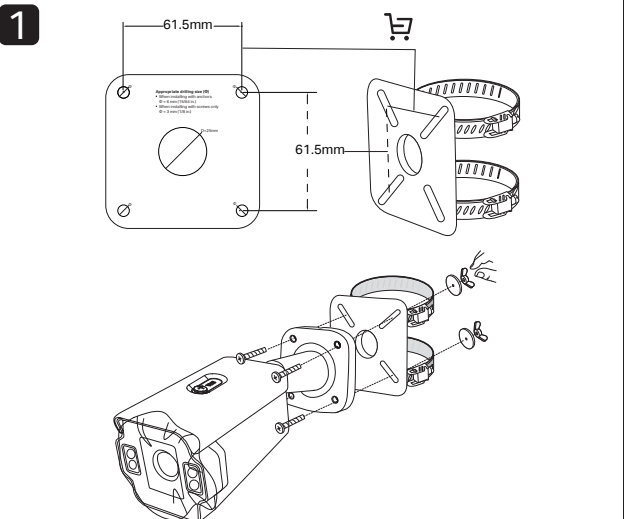
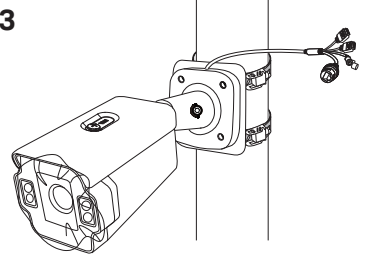
Option 1



Option 2

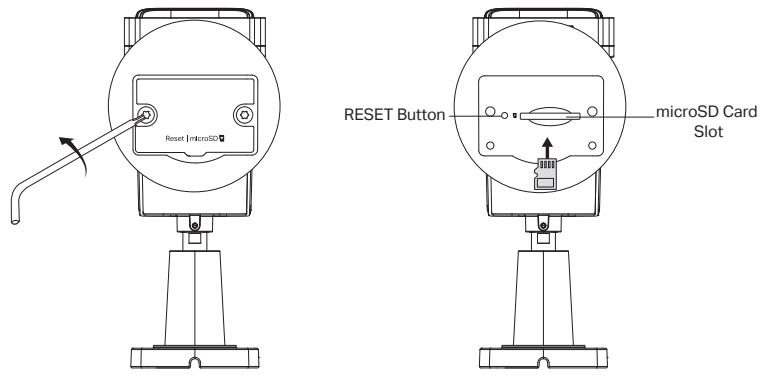


Option 3

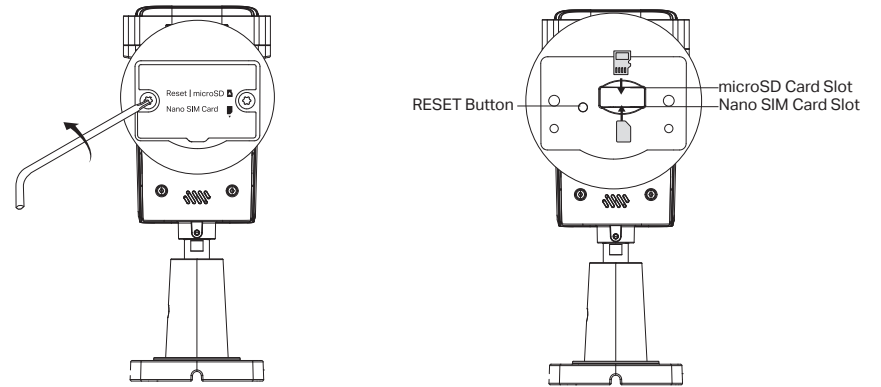


3. Install microSD Card/SIM Card (Optional)

A

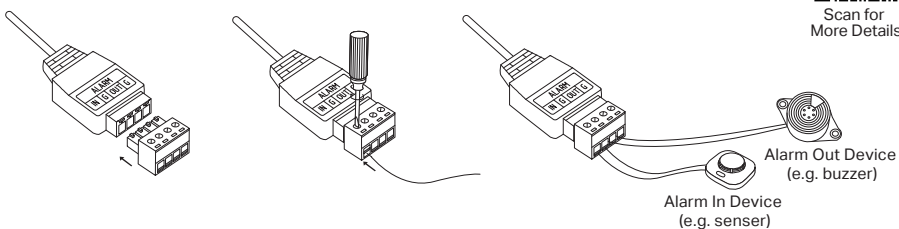


B (For 4G Camera)

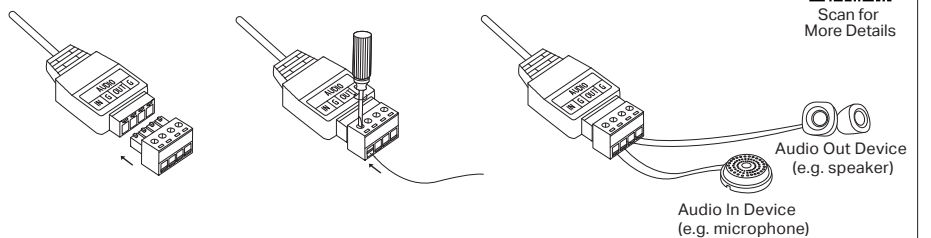


4. Connect Alarm/Audio Device (Optional)

Connect Alarm Device

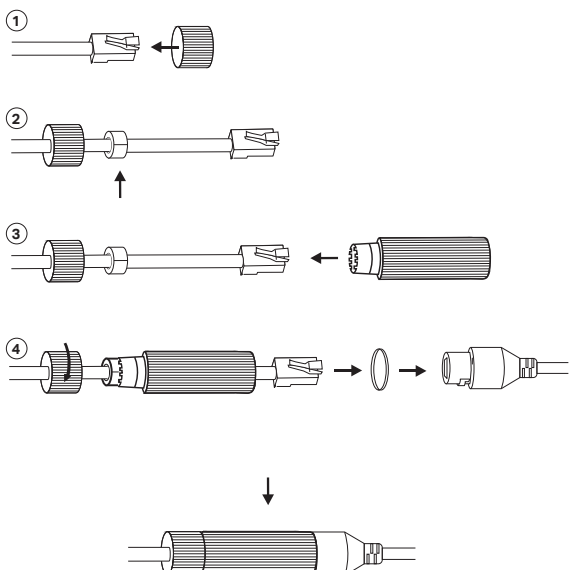


Connect Audio Device

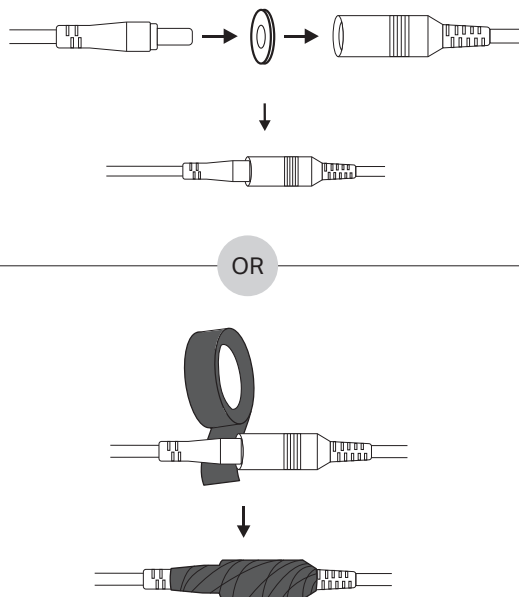


5. Waterproof Cables (Optional)

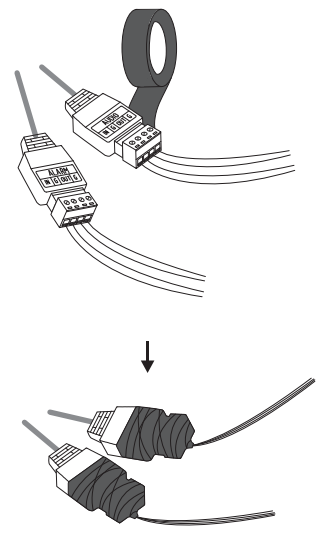
For Ethernet Cable



For Power Cord



For Alarm/Audio Interface



6. Activate and Access Camera

Via TP-Link VIGI app



or



More Information

- Web configuration: The default web login address is <https://192.168.0.60>.
- For more details on installation and setup, scan the following QR codes:



Setup Video



Quick Start Guide

Usage Tips:

- Make sure your power supply matches your camera. The power source should comply with Power Source Class 2 (PS2) or Limited Power Source (LPS) of IEC 62368-1.
- Make sure that the wall is strong enough to withstand 4 times the weight of the camera and mounting bracket.
- If you are uncertain or uncomfortable performing the installation, consult a qualified electrician. It is recommended to install it in a place that children cannot touch.

Safety Information

- Do not use any other chargers than those recommended.
- Do not use damaged charger or USB cable to charge the device.
- Do not attempt to disassemble, repair, or modify the device. If you need service, please contact us.
- Adapter shall be installed near the equipment and shall be easily accessible.
- Keep the device away from fire or hot environments. DO NOT immerse in water or any other liquid.
- Do not use the device where wireless devices are not allowed. (For InSight S345-4G)
- Adapter should be used indoors where the ambient temperature is lower than or equal to 40 °C. (For InSight S345-4G)

EU Declaration of Conformity

For InSight S345-4G:
TP-Link hereby declares that the device is in compliance with the essential requirements and other relevant provisions of directives 2014/53/EU, 2009/125/EC, 2011/65/EU and (EU) 2015/863.
The original EU declaration of conformity may be found at <https://www.tp-link.com/en/support/ce/>
For other models:
TP-Link hereby declares that the device is in compliance with the essential requirements and other relevant provisions of directives 2014/30/EU, 2014/35/EU, 2011/65/EU and (EU) 2015/863.
The original EU Declaration of Conformity may be found at <https://www.tp-link.com/en/support/ce/>

UK Declaration of Conformity

For InSight S345-4G:
TP-Link hereby declares that the device is in compliance with the essential requirements and other relevant provisions of the Radio Equipment Regulations 2017.
The original UK declaration of conformity may be found at <https://www.tp-link.com/support/ukca/>
For other models:
TP-Link hereby declares that the device is in compliance with the essential requirements and other relevant provisions of the Electromagnetic Compatibility Regulations 2016 and Electrical Equipment (Safety) Regulations 2016.
The original UK Declaration of Conformity may be found at <https://www.tp-link.com/support/ukca/>