

Installation Guide

Passive PoE Adapter

POE2412G/POE4818G/POE4824G



For technical support and other information, please visit <https://www.tp-link.com/support>, or simply scan the QR code

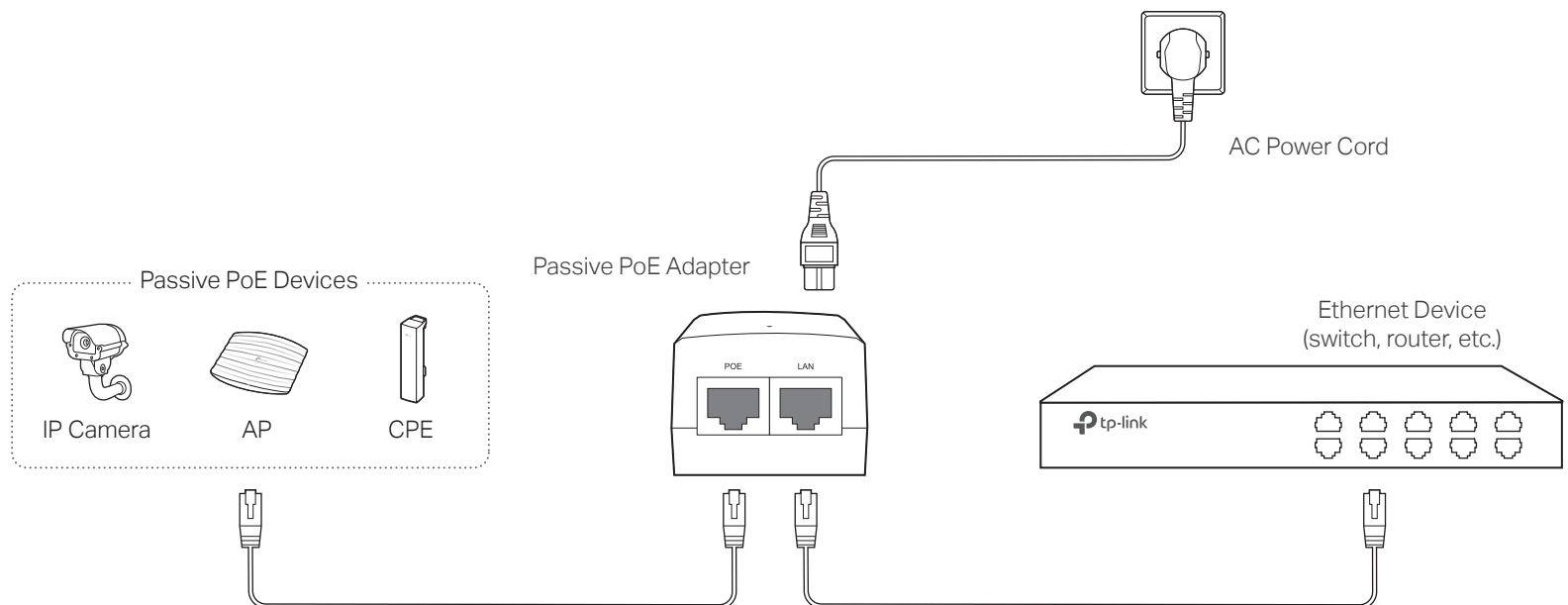
7106510700 REV1.20.0

Package Contents: passive PoE adapter, power cord, wall mount kits

Note: POE2412G is used as an example throughout this guide. Other models may differ in appearance.

Connection

Use the passive PoE adapter to simultaneously supply power and transmit data to a passive PoE device.



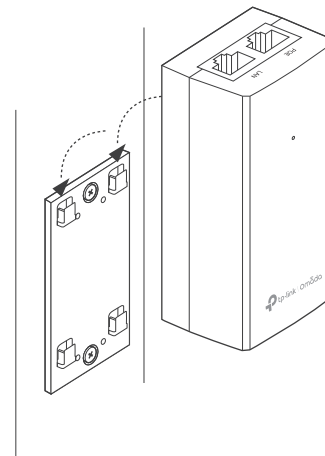
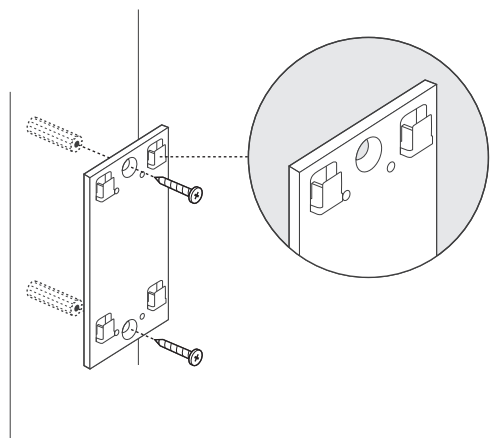
Note: Before connecting a passive PoE device, please check the required voltage in its product manual.

Installation

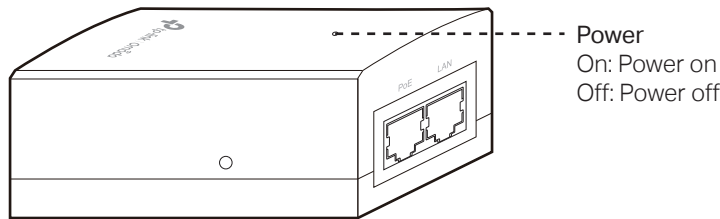
Note: To ensure the passive PoE adapter is attached most securely, it is recommended to install the adapter with the Ethernet port facing upward.

1. Drill two holes on the wall and insert the plastic wall anchors into the holes. Secure the mounting bracket to the wall. Make sure the shoulders at the corners of the mounting bracket are on the outside and pointing upward.

2. Attach the passive PoE adapter to the mounting bracket by sliding the adapter in the direction of the arrows until it locks into place.



LED & Button



Specifications

General Specifications

Standards	IEEE802.3i, IEEE 802.3u, IEEE 802.3ab
Output Power	POE2412G: 24V/0.5A POE4818G: 48V/0.375A POE4824G: 48V/0.5A
Cable Type	UTP/STP of Cat. 5e or above (based on the standards that the connected devices comply with)
Ports	<ul style="list-style-type: none"> 10/100/1000Mbps Auto-Negotiation RJ45 LAN port 10/100/1000Mbps Auto-Negotiation RJ45 POE port
LED	PWR

Environmental and Physical Specifications

Operating Temperature	POE4818G/POE4824G: 0 °C to 40 °C (32 °F to 104 °F) POE2412G: 0 °C to 45 °C (32 °F to 113 °F)
Storage Temperature	-40 °C to 70 °C (-40 °F to 158 °F)
Operating Humidity	10% to 90%RH non-condensing
Storage Humidity	5% to 90%RH non-condensing

FAQ

Q1. Can the PoE adapter supply power to a passive PoE device which doesn't have a gigabit Ethernet port?

A: Yes. Both the LAN and the PoE ports of the PoE adapter comply with IEEE 802.3i and IEEE 802.3u standards and support 10/100Mbps Auto-Negotiation.

Q2. Can the Passive PoE adapter supply power to all my PoE devices?

A: If your devices support passive PoE and the voltage standards of the devices match that of the passive PoE adapter, the passive PoE adapter can supply power to them.

FC FCC compliance information statement

Product Name: I.T.E. POWER SUPPLY
Model Number: POE2412G/POE4818G/POE4824G
Responsible party:
TP-Link USA Corporation
Address: 10 Mauchly, Irvine, CA 92618
Website: <https://www.tp-link.com/us/>
Tel: +1 626 333 0234
Fax: +1 909 527 6804
E-mail: sales.usa@tp-link.com

This equipment has been tested and found to comply with the limits for a Class A digital device, pursuant to part 15 of the FCC Rules. These limits are designed to provide reasonable protection against harmful interference when the equipment is operated in a commercial environment. This equipment generates, uses, and can radiate radio frequency energy and, if not installed and used in accordance with the instruction manual, may cause harmful interference to radio communications. Operation of this equipment in a residential area is likely to cause harmful interference in which case the user will be required to correct the interference at his own expense.

This device complies with part 15 of the FCC Rules. Operation is subject to the following two conditions:

- 1) This device may not cause harmful interference.
- 2) This device must accept any interference received, including interference that may cause undesired operation.

Any changes or modifications not expressly approved by the party responsible for compliance could void the user's authority to operate the equipment.

We, TP-Link USA Corporation, has determined that the equipment shown as above has been shown to comply with the applicable technical standards, FCC part 15. There is no unauthorized change is made in the equipment and the equipment is properly maintained and operated.

Issue Date: 2023/12/18

EU Declaration of Conformity

TP-Link hereby declares that the device is in compliance with the essential requirements and other relevant provisions of directives 2014/30/EU, 2014/35/EU, 2009/125/EC, 2011/65/EU and (EU)2015/863.

The original EU declaration of conformity may be found at <https://www.tp-link.com/en/ce>.

UK Declaration of Conformity

TP-Link hereby declares that the device is in compliance with the essential requirements and other relevant provisions of the Electromagnetic Compatibility Regulations 2016 and Electrical Equipment (Safety) Regulations 2016.

The original UK Declaration of Conformity may be found at <https://www.tp-link.com/support/ukca>

SAFETY NOTICES

⚠ Cautions

Keep the device away from water, fire, humidity or hot environments.
Avoid using this product during an electrical storm. There may be a remote risk of electric shock from lightning.
Plug the product into the wall outlets with earthing connection through the power supply cord. Do not attempt to disassemble, repair, or modify the device. If you need service, please contact us.
The socket-outlet shall be installed near the equipment and shall be easily accessible.
The PoE ports shall not be used to charge lithium batteries or devices supplied by lithium batteries.



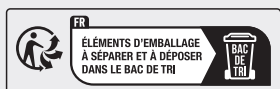
Продукт сертифіковано згідно з правилами системи УкрСЕПРО на відповідність вимогам нормативних документів та вимогам, що передбачені чинними законодавчими актами України.



Industry Canada Statement
CAN ICES-3 (B)/NMB-3(B)

CE Mark Warning

This is a class B product. In a domestic environment, this product may cause radio interference, in which case the user may be required to take adequate measures.



BSMI Notice

安全諮詢及注意事項

- 請使用原裝電源供應器或只能按照本產品注明的電源類型使用本產品。
- 清潔本產品之前請先拔掉電源線。請勿使用液體、噴霧清潔劑或濕布進行清潔。
- 注意防潮，請勿將水或其他液體潑灑到本產品上。
- 插槽與開口供通風使用，以確保本產品的操作可靠並防止過熱，請勿堵塞或覆蓋開口。
- 請勿將本產品置放於靠近熱源的地方。除非有正常的通風，否則不可放在密閉位置中。
- 請不要私自拆開機殼或自行維修，如產品有故障請與原廠或代理商聯繫。

限用物質含有情況標示聲明書

產品元件名稱	限用物質及其化學符號					
	鉛 Pb	鎘 Cd	汞 Hg	六價鉻 Cr ⁶⁺	多溴聯苯 PBB	多溴二苯醚 PBDE
PCB	○	○	○	○	○	○
外殼	○	○	○	○	○	○
電源線	○	○	○	○	○	○
其他及其配件	-	○	○	○	○	○

備考1: "○"系指該項限用物質之百分比含量未超出百分比含量基準值。
備考2: "-"系指該項限用物質為排除項目。

Explanation of the symbols on the product label

Symbols may vary from products. The label is at the bottom of the product.

Symbol	Explanation
	Class II equipment
	Class II equipment with functional earthing
	Alternating current
	Direct current
	Polarity of d.c. power connector
	For indoor use only
	Dangerous voltage
	Caution, risk of electric shock
	Energy efficiency Marking
	Protective earth
	Earth
	Frame or chassis
	Functional earthing
	Caution, hot surface
	Caution
	Operator's manual
	Stand-by
	"ON"/"OFF" (push-push)
	Fuse
	Fuse is used in neutral N
	RECYCLING This product bears the selective sorting symbol for Waste electrical and electronic equipment (WEEE). This means that this product must be handled pursuant to European directive 2012/19/EU in order to be recycled or dismantled to minimize its impact on the environment. User has the choice to give his product to a competent recycling organization or to the retailer when he buys a new electrical or electronic equipment.
	Caution, avoid listening at high volume levels for long periods
	Disconnection, all power plugs
m	Switch of mini-gap construction
	Switch of micro-gap construction (for US version)
μ	Switch of micro-gap /micro-disconnection construction (for other versions except US)
ε	Switch without contact gap (Semiconductor switching device)