

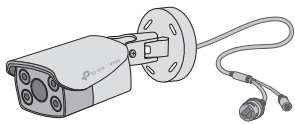
Quick Start Guide

*Images may differ from actual products.

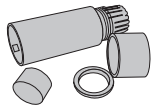
Safety First:

- Make sure your power supply matches your camera. The camera's standard power supply is 12V DC (5.5W) or PoE (802.3af/at). The power source should meet LPS, PS2, and other requirements according to IEC 62368-1.
- Make sure that the wall is strong enough to withstand 4 times the weight of the camera and mounting bracket.
- If you are uncertain or uncomfortable performing the installation, consult a qualified electrician.

Package Contents



Network Camera



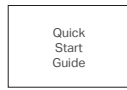
Waterproof Cable Attachments



Anchors and Screws

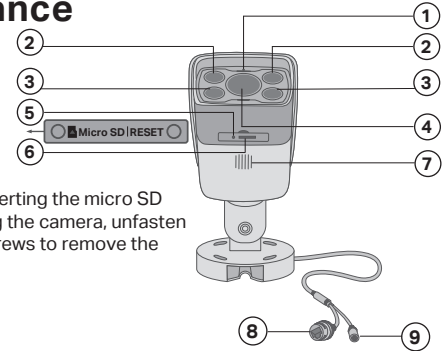


Mounting Template



Quick Start Guide

Appearance



Note: Before inserting the micro SD card or resetting the camera, unfasten the two fixed screws to remove the cover.

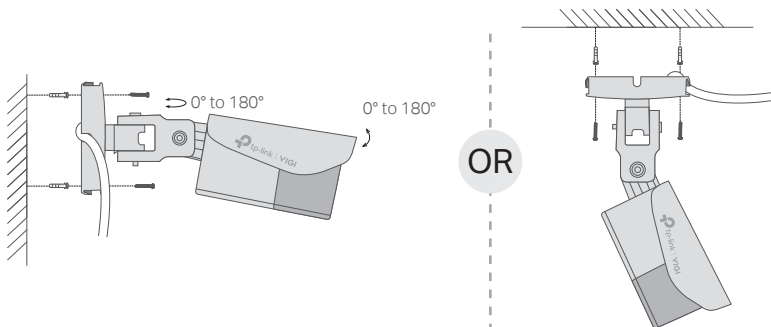
- ① Microphone
- ② IR LED
- ③ White Light
- ④ Lens
- ⑤ RESET Button
Long press the button to reset the camera to factory settings.
- ⑥ Micro SD Card Slot
Insert a micro SD card for local storage. Initialize the SD card via VIGI app before recording videos.
- ⑦ Speaker
- ⑧ RJ45 Ethernet Port (supports PoE)*
- ⑨ Power Supply Interface (12V DC)*

*The camera's standard power supply is 12V DC (5.5W) or PoE (802.3af/at).

1 Mount Camera

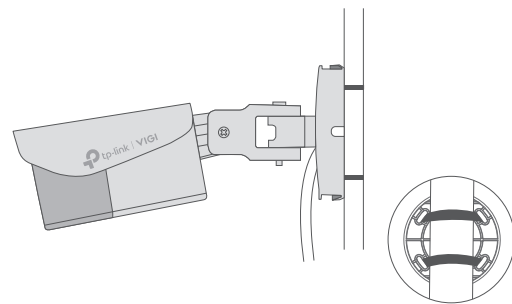
Option 1: Wall/Ceiling Mounting

1. Stick the mounting template to the desired mounting place. Drill 4 screw holes according to the template.
2. Insert the anchors into the holes, use the provided screws to fix the camera's bracket to the wall or ceiling.



Option 2: Pole Mounting

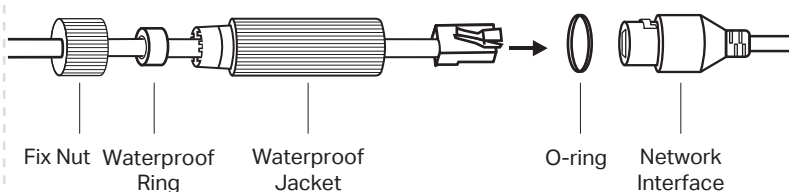
1. Thread each of the two cable ties through the slits on the back of the camera's bracket indicated below.
2. Slip the two cable ties through the pole. Tighten them to firmly attach the pole.



Installing Waterproof Cable Attachments

Install the waterproof cable attachments for the network interface when the camera is installed outdoors.

Note: Make sure each part is securely attached and the waterproof rings are flush to keep out water.



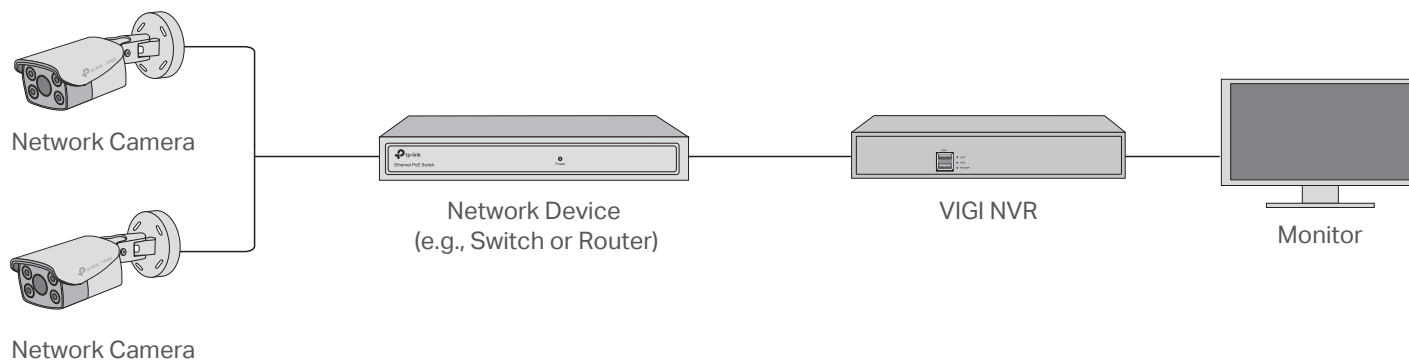
1. Route the network cable through the following components in order: fix nut, waterproof ring, and then the waterproof jacket.
2. Fix the O-ring to the network interface of the camera and connect the network cables.
3. Attach the network interface with the waterproof jacket, then twist to lock.
4. Insert the waterproof ring into the waterproof jacket. Rotate the fix nut to secure it to the waterproof jacket.

Done! The network interface is now waterproof.

2 Use Your Camera with an NVR

The camera works with an NVR for easier batch access and management.

*Here we use a VIGI NVR as an example.



Step 1. Connect the Hardware

Connect your cameras to the same network as your NVR (as shown above).

Step 2. Power On the Cameras

Power on your cameras with the PoE power supply or an external power supply.

Note: The camera's standard power supply is 12V DC (5.5W) or PoE (802.3af/at). The power source should meet LPS, PS2, and other requirements according to IEC 62368-1.

Step 3. Add Cameras with the NVR

Before you start, make sure the NVR is working properly.

1. Right click on the Live View screen and click **Add Camera**.
2. Select your camera and click **+** to add your camera directly. If you have disabled Plug and Play on your NVR, create a password or use a preset password for your camera.

Note: If you can't find your camera, refer to FAQ-Q1.

😊 **Done!** You can now view live video and manage cameras.

Using your cameras with other NVR brands:

Step 1: Power on your cameras and connect them to the network.

Step 2: Activate the camera using the **VIGI Security Manager** or **TP-Link VIGI** app (refer to the next section).

Step 3: Refer to the NVR's User Manual to add cameras.

More Management Methods

You can also access and manage your cameras via any of the methods below.

Method 1: Via the VIGI Security Manager (Windows only)

View live video and modify camera settings on your computer.

1. Download the **VIGI Security Manager** on your computer at <https://www.tp-link.com/support/download/vigi-security-manager/>.
2. Install the **VIGI Security Manager** and open it.
3. Cameras on the same network as your computer can be automatically discovered. Go to **Settings > Discovered Devices**, click **+** **Add** to activate your discovered cameras by setting passwords, and follow the instructions to add your cameras.

Method 2: Via the TP-Link VIGI App

Remotely view live video, manage cameras, and get instant alerts.

1. Download and install the **TP-Link VIGI** app.



2. Open the **TP-Link VIGI** app and log in with your TP-Link ID. If you don't have an account, sign up first.
3. Tap the **+** button on the top right and follow the app instructions to activate and add your cameras.

Frequently Asked Questions (FAQ)

Q1: What can I do if no cameras are discovered?

- Refresh to discover your camera again.
- Make sure the camera is powered on.
- Make sure your camera and NVR/computer are in the same subnet. If not, use the **VIGI Security Manager** to set camera's network parameters.
- Try to add your cameras manually.
- For other NVR brands, make sure you have activated the camera by setting a password via the **VIGI Security Manager** or **TP-Link VIGI** app.

Q2: How do I know the camera is powered on?

- The IR LED will turn on for 20 seconds once the camera is powered on. If it's off, you can cover the lens for several seconds and check if the IR LED turns on.
- Check the LED status of the network device your camera is connected to.

For more questions, please refer to
<https://www.tp-link.com/support/faq/2850/>

- Do not use any other chargers than those recommended.
- Do not use damaged charger or USB cable to charge the device.
- Do not attempt to disassemble, repair, or modify the device. If you need service, please contact us.
- Adapter shall be installed near the equipment and shall be easily accessible.
- Keep the device away from fire or hot environments. DO NOT immerse in water or any other liquid.

TP-Link hereby declares that the device is in compliance with the essential requirements and other relevant provisions of directives 2014/30/EU, 2014/35/EU, 2009/125/EC, 2011/65/EU and (EU)2015/863.

The original EU Declaration of Conformity may be found at <https://www.tp-link.com/en/support/ce/>
TP-Link hereby declares that the device is in compliance with the essential requirements and other relevant provisions of the Electromagnetic Compatibility Regulations 2016 and Electrical Equipment (Safety) Regulations 2016.

The original UK Declaration of Conformity may be found at <https://www.tp-link.com/support/ukca>



If you have any suggestions or needs for the product guides, you are welcome to email techwriter@tp-link.com.cn



For technical support, replacement services, user guides, and more information, please visit <https://www.tp-link.com/support>, or simply scan the QR code.

