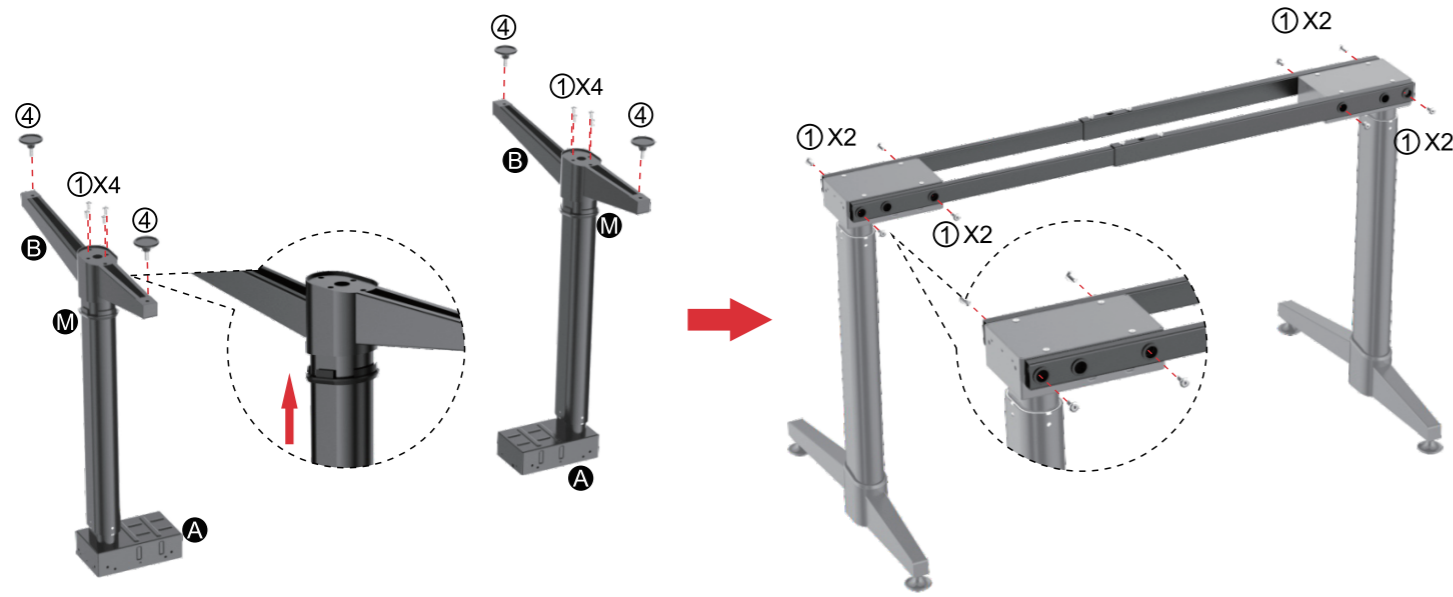


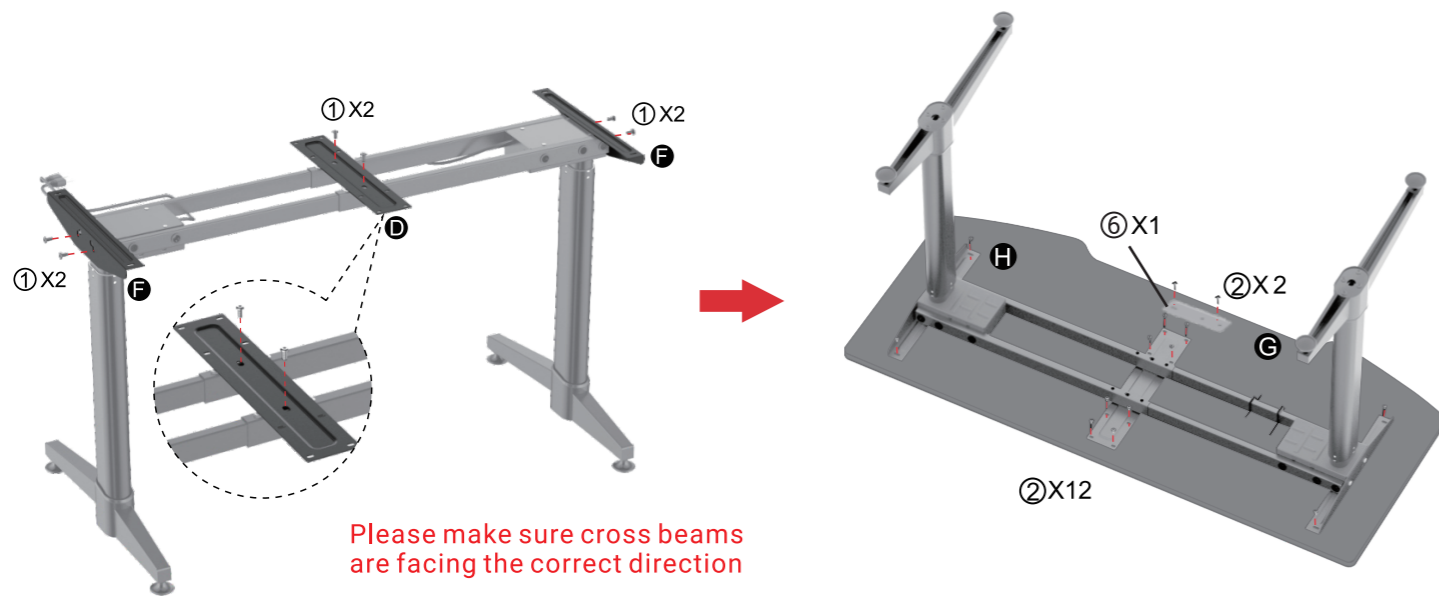


## How to install Guide

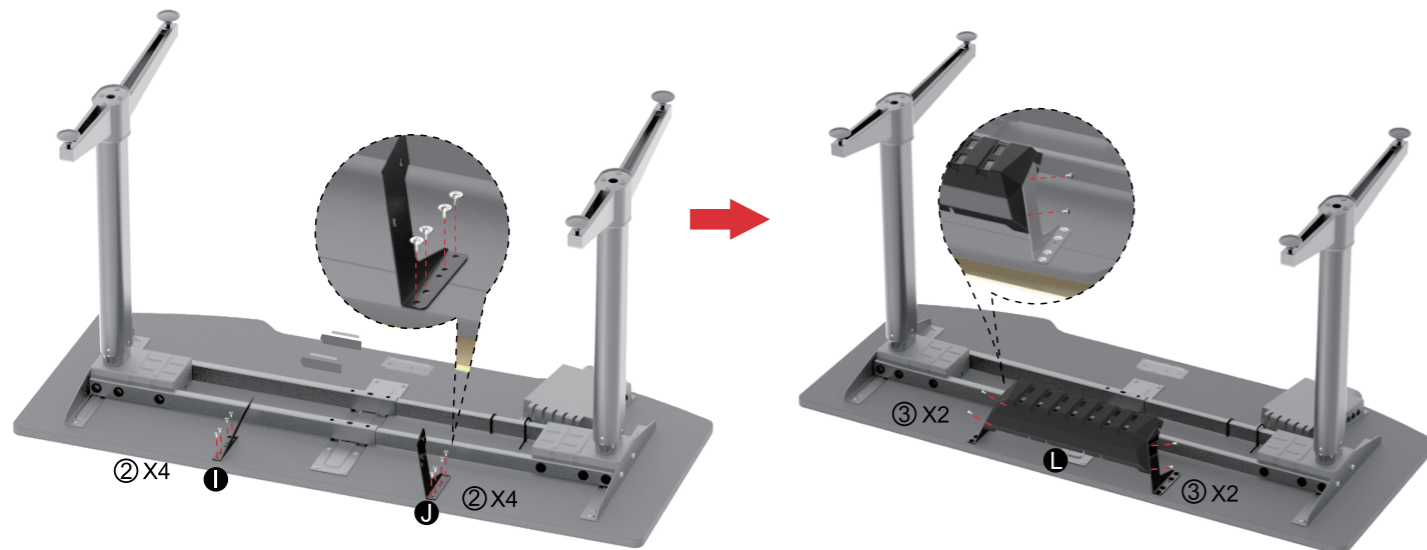
(2)



(3)

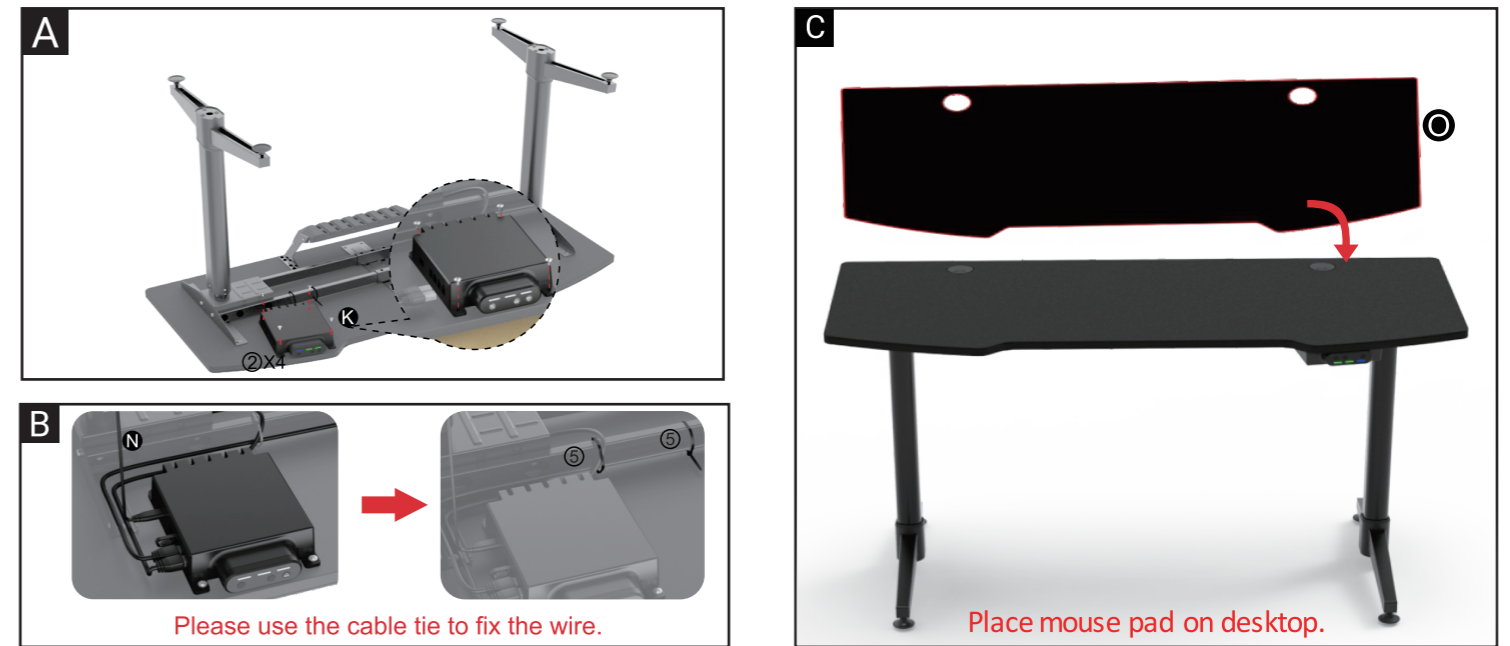


(4)



## How to install Guide

(5)

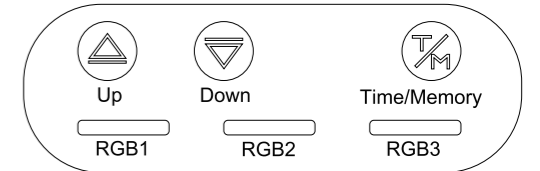


## Instructions

### 1. Up and Down Operation

a. Long press (Up) to raise the desk height automatically and press (Up) again to stop movement. (Note: the desk will stop at the High preset height. Long press (Up) again to continue raising desk height).

b. Long press (Down) to lower the desk height automatically and press (Down) again to stop movement. (Note: the desk will stop at the Low preset height. Long press (Down) again to continue lowering desk height).



### 2. Height Memory Settings

- Once you adjust the desk to a certain height, long press (T/M) for 3 seconds and RGB3 will light up green, then press the (up) or (down) button. Then, RGB3 will flash 5 times and then stop, indicating that the height memory setting has been completed.
- Using the button combinations "(T/M + up)" and "(T/M + down)", you can set two different height settings: one High and one Low setting. Long press (up) for 3 seconds to adjust the desk to High setting or long press (down) for 3 seconds to adjust to Low setting.

### 3. Sedentary Reminder

- RGB3 lights up white when you've been sitting for 30 minutes, blue means 45 minutes, and dark blue means 60 minutes. When the light is off, that means the reminder interval has ended.
- After each reminder interval, RGB1, RGB2, and RGB3 flashes green simultaneously to remind you to start the next reminder interval by pressing any button.

### 4. Fault Retrieval and Reset

- After installing the desk, please press the (up) and (down) button for 7 seconds. When RGB1 and RGB2 flashes green, release the buttons and the desk will automatically go up and down. After the desk has completed going through automatic operation, it can be used normally.
- When the desk is not working properly, indicated by RGB1 and RGB2 flashing red/purple/yellow, please check that all cables are secure and proceed to re-plug them.
- If Step 2 did not fix the problem, press (down) for 7 seconds until RGB1 and RGB2 flash green, then release the button and the desk will automatically go up and down to check and repair. After the operation has stopped, the desk can be used normally.